



WESTERN
SHOTCRETE EQUIPMENT

PARTS CATALOG



2022

TABLE OF CONTENTS

04 Shotcrete Nozzles

- 05 Single-Port Nozzles
- 15 Nozzle Accessories
- 16 Dual-Port Nozzles

20 Concrete Placing Supplies

- 20 Couplings & Gaskets
- 20 Elbows
- 21 Reducers
- 22 Pipe Bends
- 22 Placing Line
- 23 Y-Pipe
- 23 Shotcrete Hose
- 24 Air Hose & Accessories
- 24 Hose Reel
- 25 Adapters & Fittings
- 26 Hose Ends & Blow-Out Fittings
- 27 Weld Ends

28 Tools

- 28 Chipping Guns
- 28 Remote Controls
- 28 Cut-off Tools
- 28 Pump Vibrators
- 29 Hose End Installation Tool
- 29 Hand-Banding Tool
- 29 Center Punch Clamps
- 29 Chipping Guns
- 29 Clean-out Tools

30 Concrete Finishing Tools

- 30 Darby Finishers
- 30 Finishing Rods
- 31 Ground Wire & Pencil Rod
- 31 Blow-off Pipe
- 31 Slurry
- 31 Clean-out Sponges



04



28



20



30

Helpful Information on Nozzles

Our shotcrete nozzles are designed and built in-house. We heat treat and black oxide every nozzle for maximum dependability. We use aircraft-grade aluminum for our air rings so you have the lightest weight nozzle possible. All of these details produce a premium product that you can trust.

END CONNECTION—GROOVED OR RAISED?

Our 2" nozzles are available in either grooved or raised end connections. However, our 1.5" and 2.5" nozzles are equipped with raised end connections only. Grooved ends are commonly known as Victaulic ends. Raised ends are commonly referred to as heavy duty ends. For the highest safety, we recommend using raised ends.

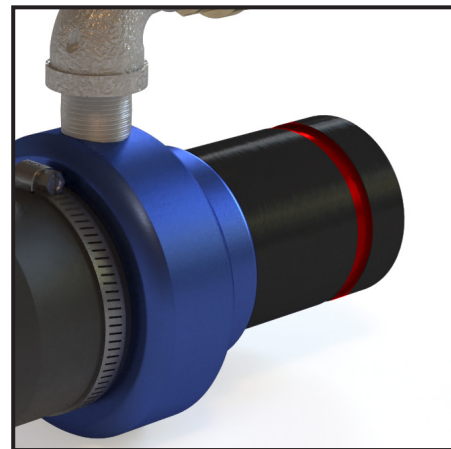
SINGLE-PORT NOZZLES

Single-port nozzles are the standard design used in shotcrete. They are available in 1.5", 2.0", and 2.5" sizes.

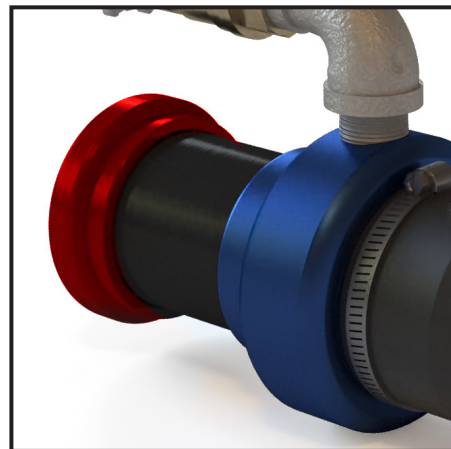
DUAL-PORT NOZZLES

Our specially-designed dual-port nozzles allow nozzlemen to add additive cures to the shotcrete mix directly at the nozzle. These nozzles are available in 1.5", 2.0", and 2.5" sizes.

GROOVED CONNECTION (HIGHLIGHTED IN RED)



RAISED CONNECTION (HIGHLIGHTED IN RED)



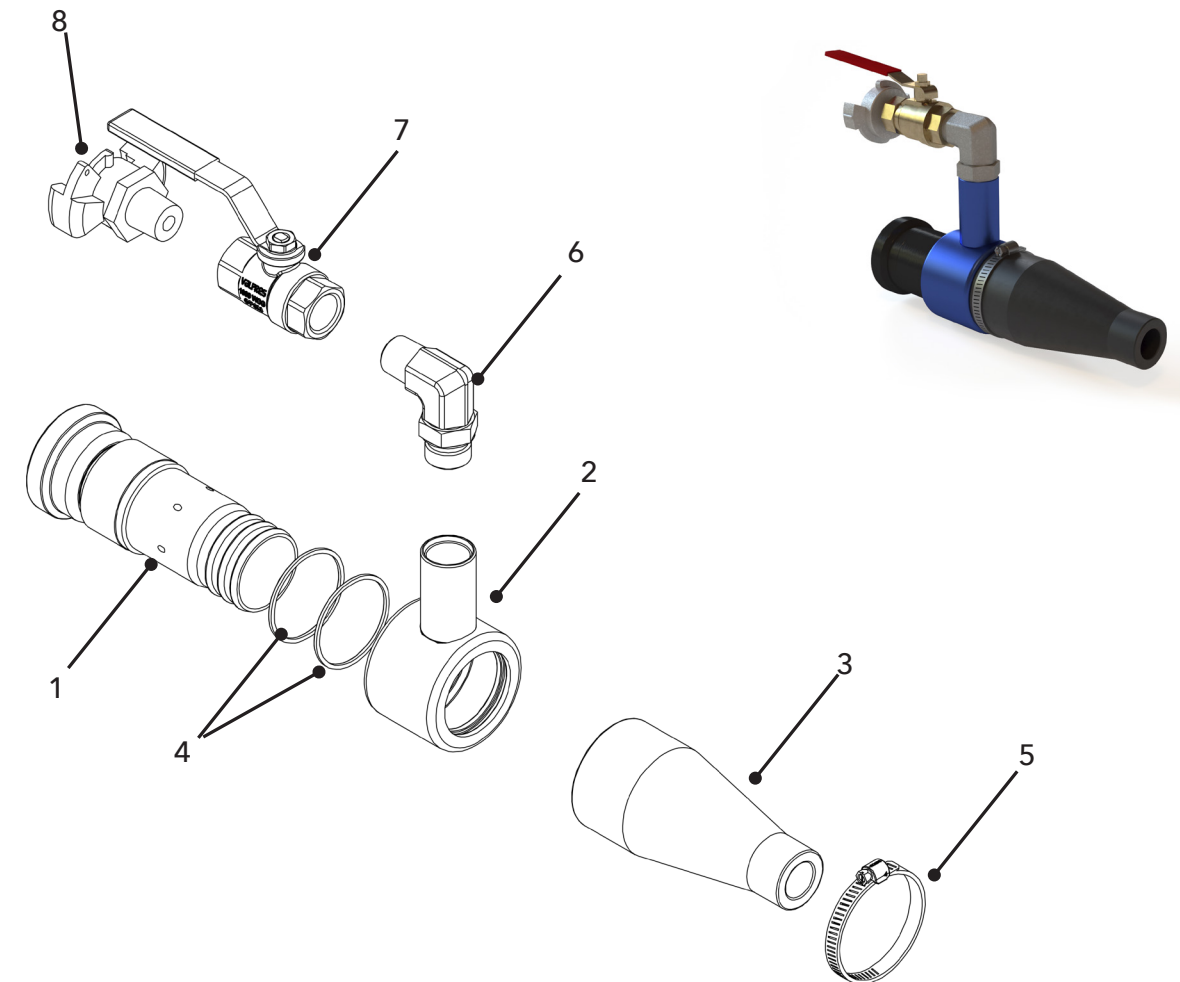
SINGLE-PORT NOZZLE



DUAL-PORT NOZZLE

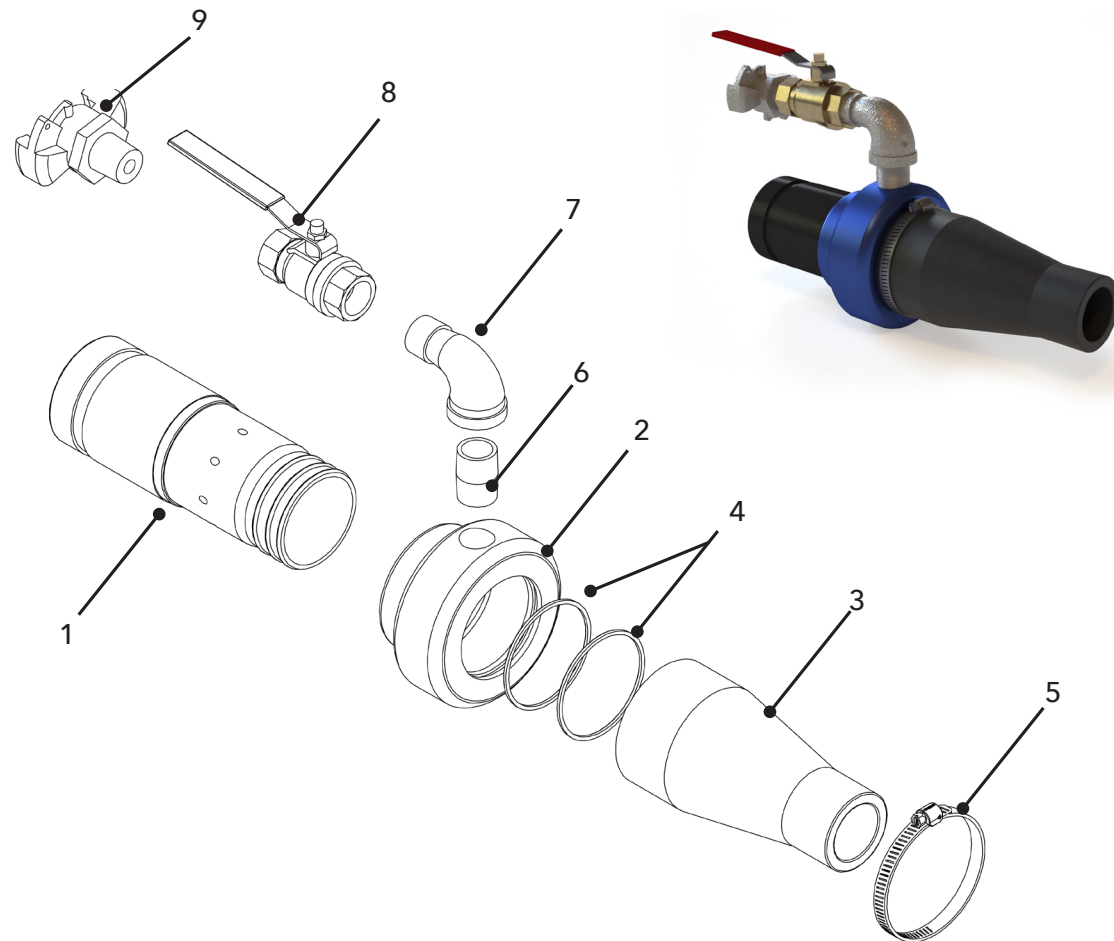


SN150D				\$195.00
1.5" Single-Port Shotcrete Nozzle, Raised End				
LINE	QTY	PART NUMBER	DESCRIPTION	PRICE
1	1	SN152D	NOZZLE BODY, 1 1/2", Raised End	\$65.00
2	1	SN153	AIR-RING, 1 1/2" with Welded Nipple	\$85.00
3	1	SN155L	NOZZLE TIP, 1 1/2" Shotcrete Nozzle	\$16.00
4	2	SN151-PKG	O-RING, 2 Each Required, Sold in Package of 10	\$7.50
5	1	023.8009-08	CLAMP, for Nozzle Tip	\$2.20
6	1	SN208.01	FITTING	\$7.95
7	1	SN213	1/2" Ball Valve	\$14.20
8	1	SN216	FITTING, 1/2" Male Pipe x Air King	\$3.50

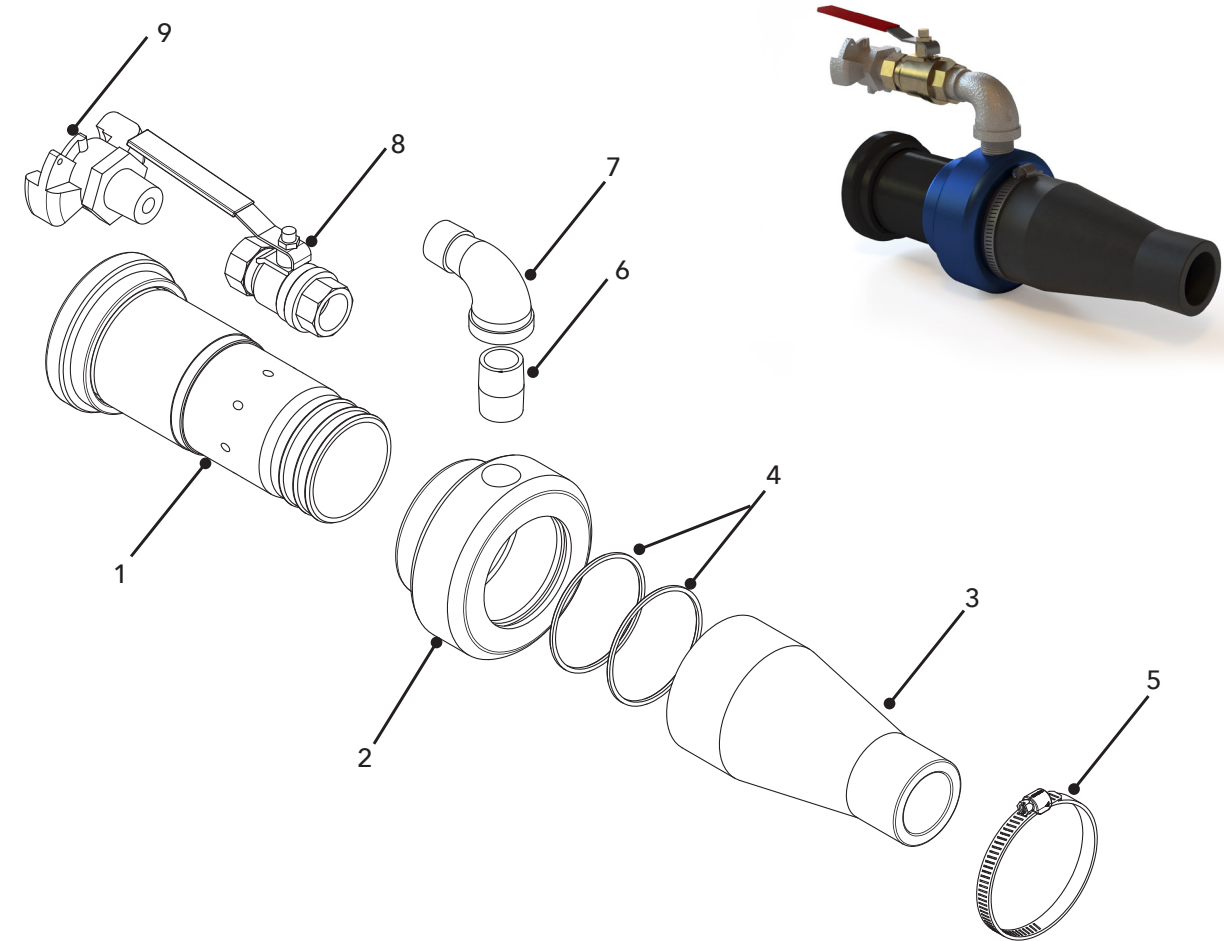


SHOTCRETE NOZZLES | Single-Port Nozzles

SN200 2" Single-Port Shotcrete Nozzle, Grooved End, 1/2" Air Inlet \$207.00				
LINE	QTY	PART NUMBER	DESCRIPTION	PRICE
1	1	SN202	NOZZLE BODY, 2", Grooved End	\$42.00
2	1	SN203	AIR-RING, 2"	\$95.00
3	1	SN230	NOZZLE TIP, 2" Shotcrete Nozzle	\$15.00
4	2	SN201-PKG	O-RING, 2 Each Required. Sold in Package of 25	\$10.75
5	1	023.8012-08	CLAMP, for Nozzle Tip	\$2.50
6	1	SN207	PIPE NIPPLE, 1/2" x 2"	\$2.50
7	1	SN208	FITTING, 1/2" 90° Elbow	\$5.50
8	1	SN213	1/2" Ball Valve	\$14.20
9	1	SN216	FITTING, 1/2" Male Pipe x Air King	\$3.50

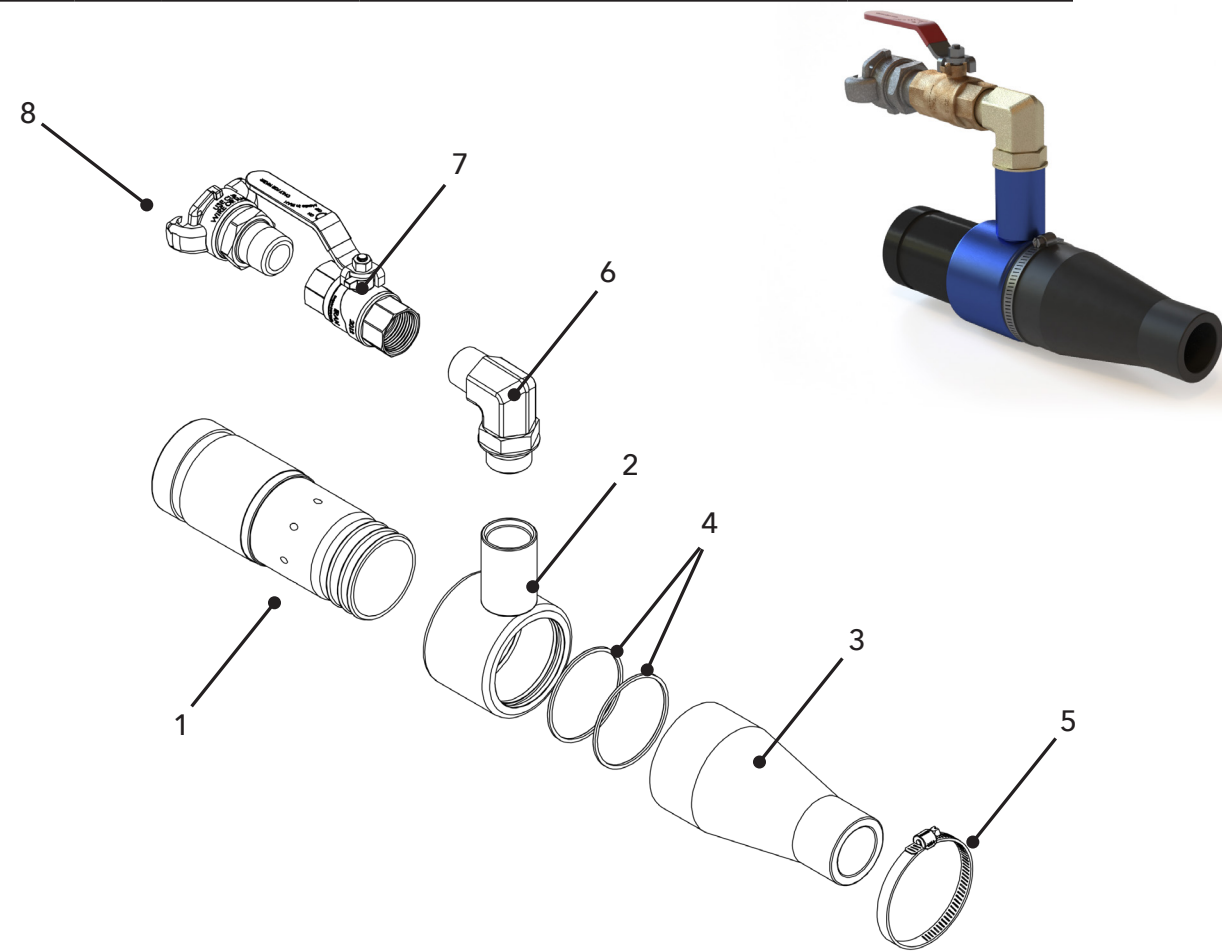


SN200D 2" Single-Port Shotcrete Nozzle, Raised End, 1/2" Air Inlet \$207.00				
LINE	QTY	PART NUMBER	DESCRIPTION	PRICE
1	1	SN202D	NOZZLE BODY, 2", Raised End	\$43.00
2	1	SN203	AIR-RING, 2"	\$95.00
3	1	SN230	NOZZLE TIP, 2" Shotcrete Nozzle	\$15.00
4	2	SN201-PKG	O-RING, 2 Each Required. Sold in Package of 25	\$10.75
5	1	023.8012-08	CLAMP, for Nozzle Tip	\$2.50
6	1	SN207	PIPE NIPPLE, 1/2" x 2"	\$2.50
7	1	SN208	FITTING, 1/2" 90° Elbow	\$5.50
8	1	SN213	1/2" Ball Valve	\$14.20
9	1	SN216	FITTING, 1/2" Male Pipe x Air King	\$3.50

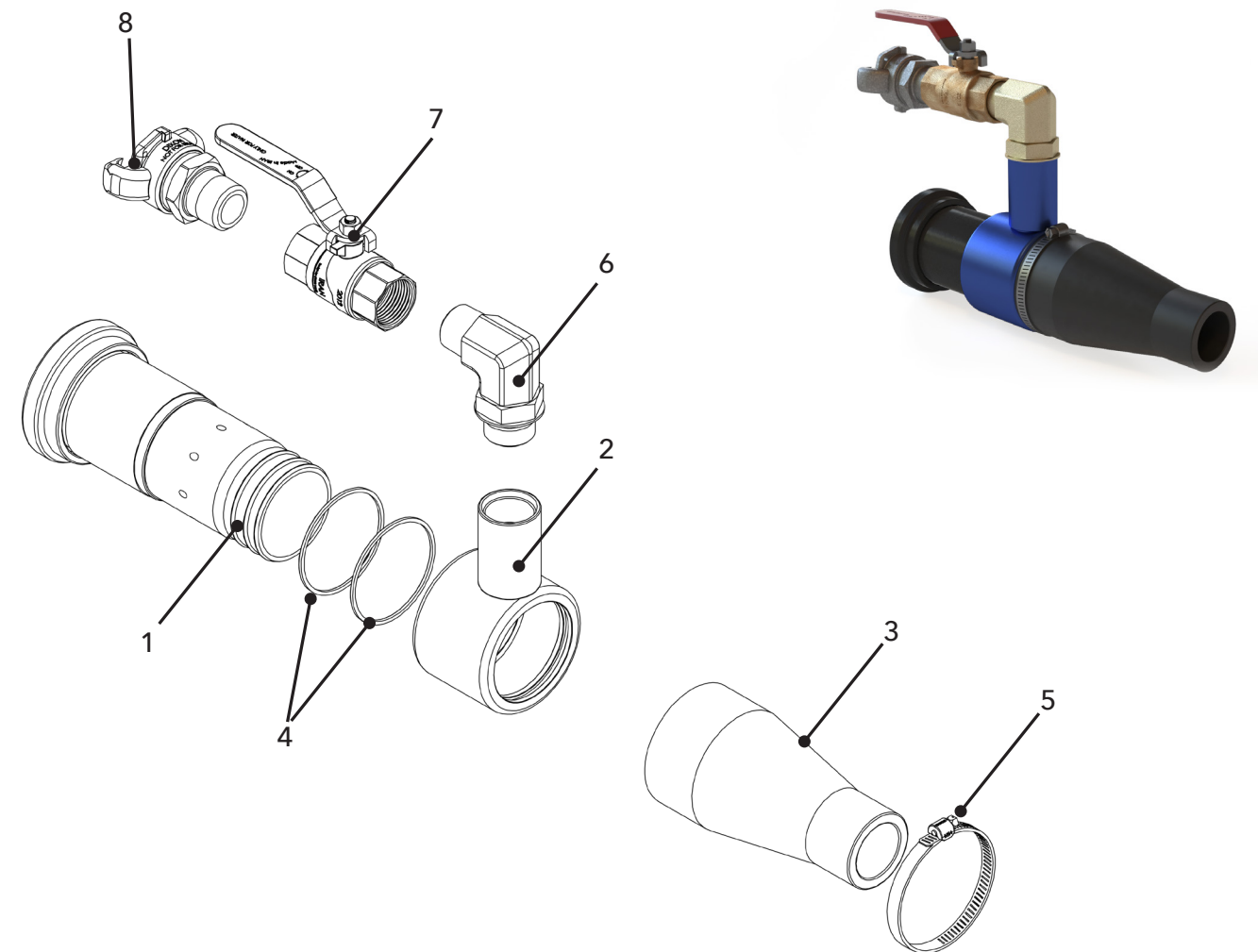


SHOTCRETE NOZZLES | Single-Port Nozzles

SN200.1 2" Single-Port Shotcrete Nozzle, Grooved End, 3/4" Air Inlet \$207.00				
LINE	QTY	PART NUMBER	DESCRIPTION	PRICE
1	1	SN202	NOZZLE BODY, 2", Grooved End	\$42.00
2	1	SN203S	AIR-RING, 2", with 3/4" Welded Nipple	\$95.00
3	1	SN230	NOZZLE TIP, 2" Shotcrete Nozzle	\$15.00
4	2	SN201-PKG	O-RING, 2 Each Required. Sold in Package of 25	\$10.75
5	1	023.8012-08	CLAMP, for Nozzle Tip	\$2.50
6	1	SN208AP.01	FITTING, 12MOR x 12MP, 90° Elbow	\$9.95
7	1	SN217	3/4" Ball Valve	\$19.50
8	1	SN218	FITTING, 3/4" Male Pipe x Air King	\$9.50

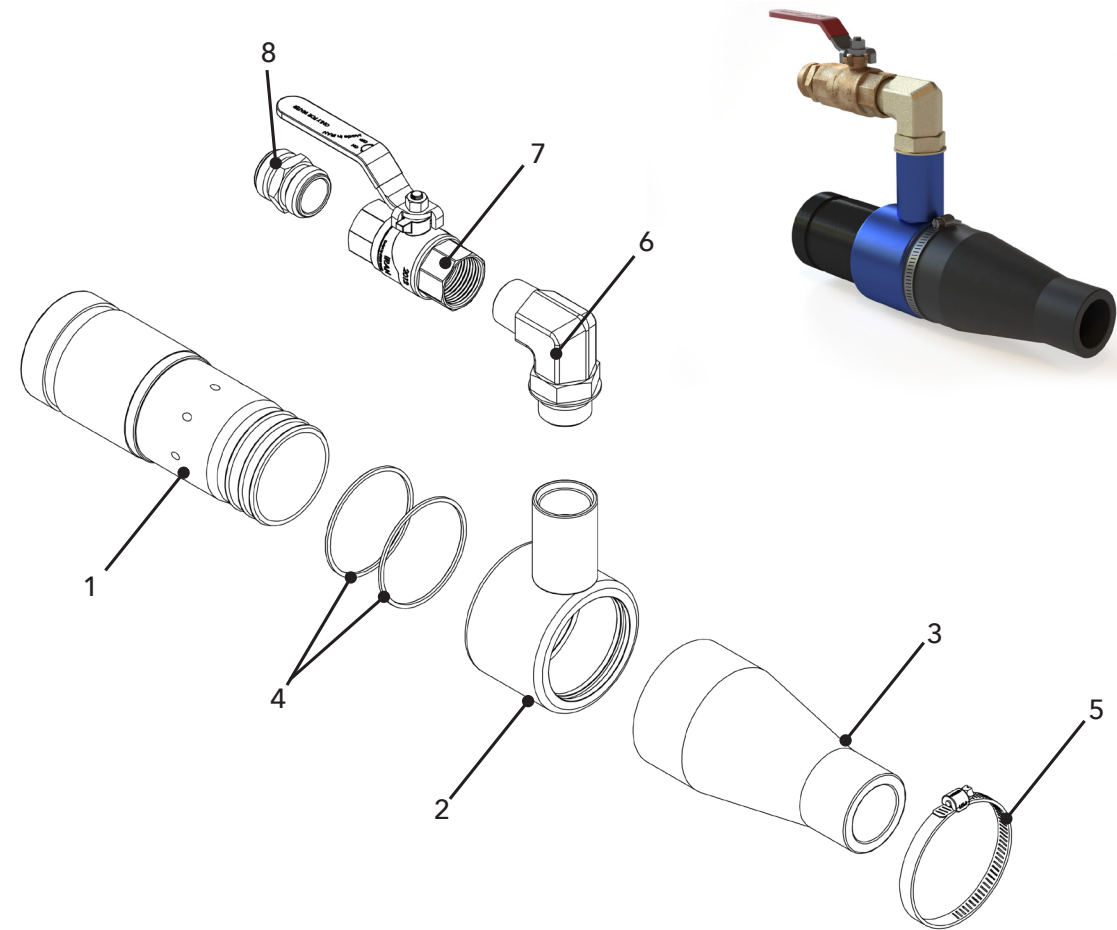


SN200D.1 2" Single-Port Shotcrete Nozzle, Raised End, 3/4" Air Inlet \$207.00				
LINE	QTY	PART NUMBER	DESCRIPTION	PRICE
1	1	SN202D	NOZZLE BODY, 2", Raised End	\$43.00
2	1	SN203S	AIR-RING, 2" with 3/4" Welded Nipple	\$95.00
3	1	SN230	NOZZLE TIP, 2" Shotcrete Nozzle	\$15.00
4	2	SN201-PKG	O-RING, 2 Each Required. Sold in Package of 25	\$10.75
5	1	023.8012-08	CLAMP, for Nozzle Tip	\$2.50
6	1	SN208AP.01	FITTING, 12MOR x 12MP, 90° Elbow	\$9.95
7	1	SN217	3/4" Ball Valve	\$19.50
8	1	SN218	FITTING, 3/4" Male Pipe x Air King	\$9.50

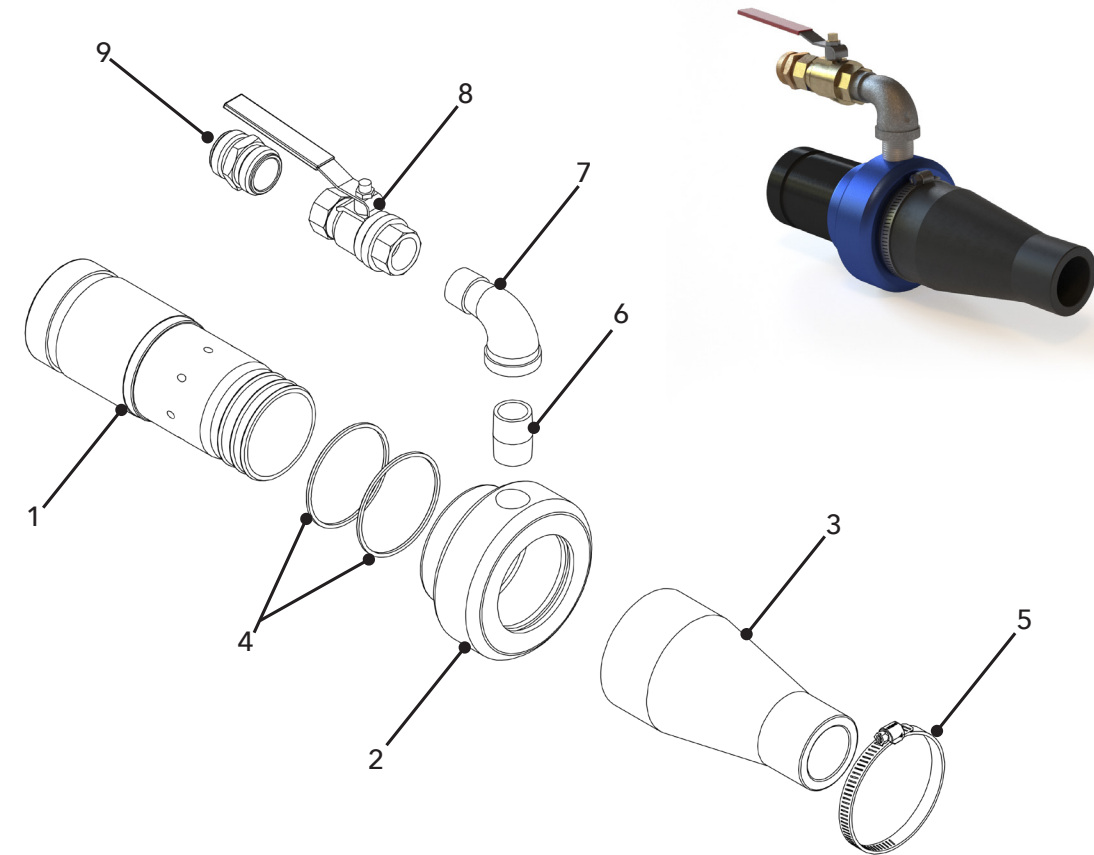


SHOTCRETE NOZZLES | Single-Port Nozzles

SN200.2 2" Single-Port Shotcrete Nozzle, Grooved End, 3/4" Air Inlet, Water Hose Fitting				
LINE	QTY	PART NUMBER	DESCRIPTION	PRICE
1	1	SN202	NOZZLE BODY, 2", Grooved End	\$42.00
2	1	SN203S	AIR-RING, 2", with 3/4" Welded Nipple	\$95.00
3	1	SN230	NOZZLE TIP, 2" Shotcrete Nozzle	\$15.00
4	2	SN201-PKG	O-RING, 2 Each Required. Sold in Package of 25	\$10.75
5	1	023.8012-08	CLAMP, for Nozzle Tip	\$2.50
6	1	SN208AP.01	FITTING, 12MOR x 12MP, 90° Elbow	\$9.95
7	1	SN217	3/4" Ball Valve	\$19.50
8	1	SN233	FITTING, 3/4" Male Pipe x 3/4" Garden Hose	\$3.56

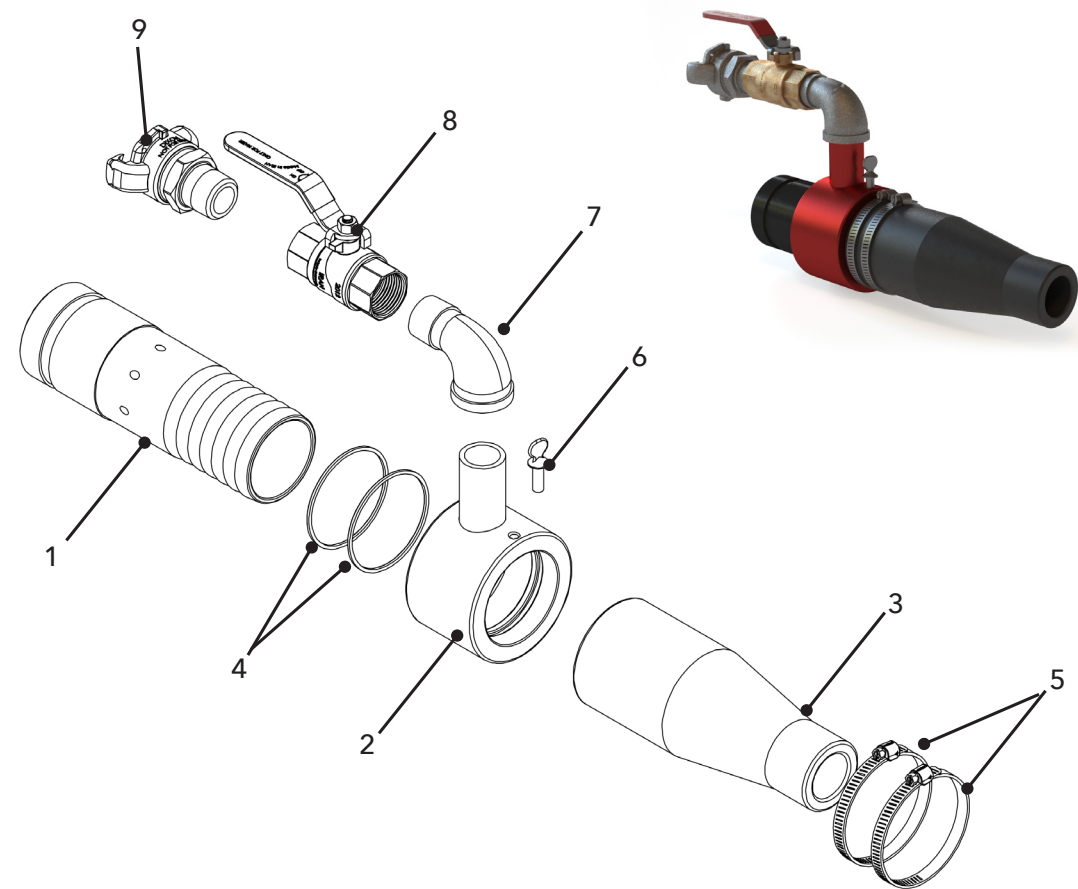


SN200.3 2" Single-Port Shotcrete Nozzle, Grooved End, 1/2" Air Inlet, Water Hose Fitting				
LINE	QTY	PART NUMBER	DESCRIPTION	PRICE
1	1	SN202	NOZZLE BODY, 2", Grooved End	\$42.00
2	1	SN203	AIR-RING, 2" with 3/4" Welded Nipple	\$95.00
3	1	SN230	NOZZLE TIP, 2" Shotcrete Nozzle	\$15.00
4	2	SN201-PKG	O-RING, 2 Each Required. Sold in Package of 25	\$10.75
5	1	023.8012-08	CLAMP, for Nozzle Tip	\$2.50
6	1	SN207	PIPE NIPPLE, 1/2" x 2"	\$2.50
7	1	SN208	FITTING, 1/2" 90° Elbow	\$5.50
8	1	SN213	1/2" Ball Valve	\$14.20
9	1	SN232	FITTING, 1/2" Male Pipe x 1/2" Garden Hose	\$3.95

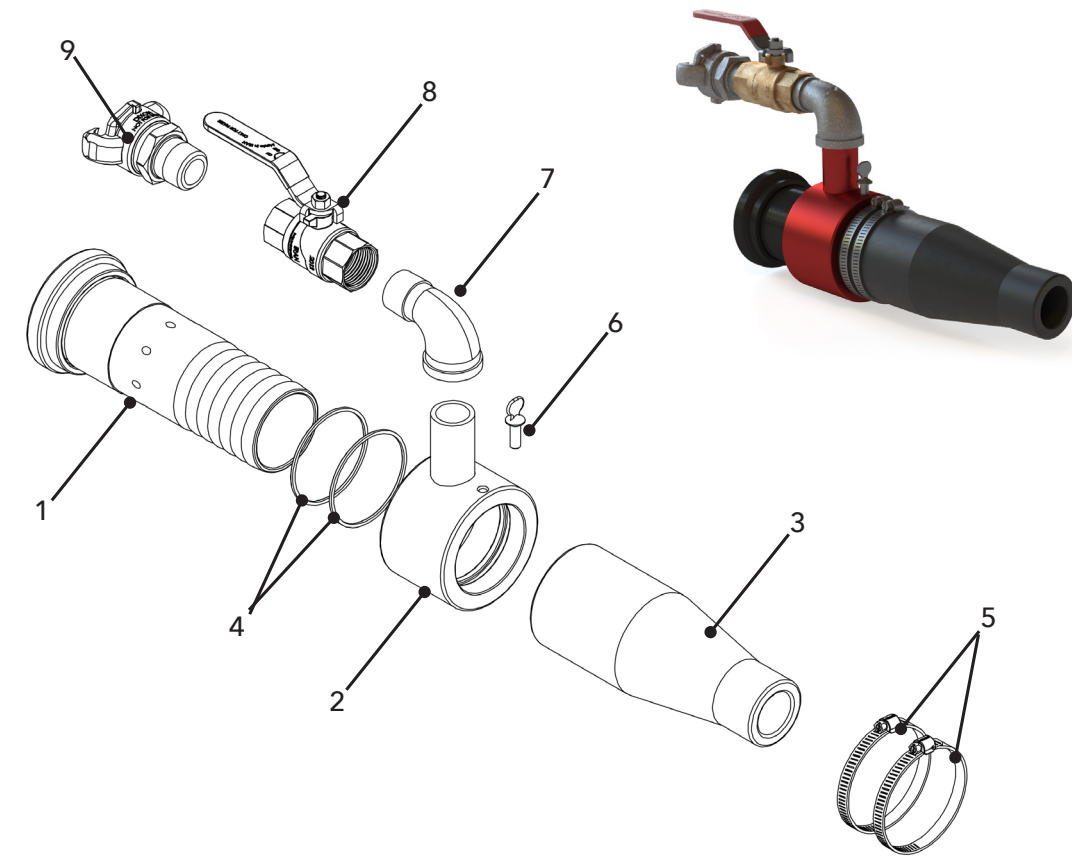


SHOTCRETE NOZZLES | Single-Port Nozzles

SN200AP 2" Single-Port Shotcrete Nozzle, Airplaco Style, Grooved End, 3/4" Air Inlet \$207.00				
LINE	QTY	PART NUMBER	DESCRIPTION	PRICE
1	1	SN202AP	NOZZLE BODY, 2", Grooved End, AP Style	\$42.00
2	1	SN203AP	AIR-RING, 2", with 3/4" Welded Nipple, Airplaco Style	\$105.00
3	1	SN220	NOZZLE TIP, 2" Shotcrete Nozzle (Long)	\$16.50
4	2	SN201AP-PKG	O-RING, 2 Each Required. Sold in Package of 25	\$8.50
5	2	023.8012-08	CLAMP, for Nozzle Tip	\$2.50
6	1	SN219	THUMB SCREW, 1/4"-20 x 3/4" Length	\$1.85
7	1	SN208AP	FITTING, 3/4" Street Elbow, Galvanized	\$4.50
8	1	SN217	3/4" Ball Valve	\$19.50
9	1	SN218	FITTING, 3/4" Male Pipe x Air King	\$9.50

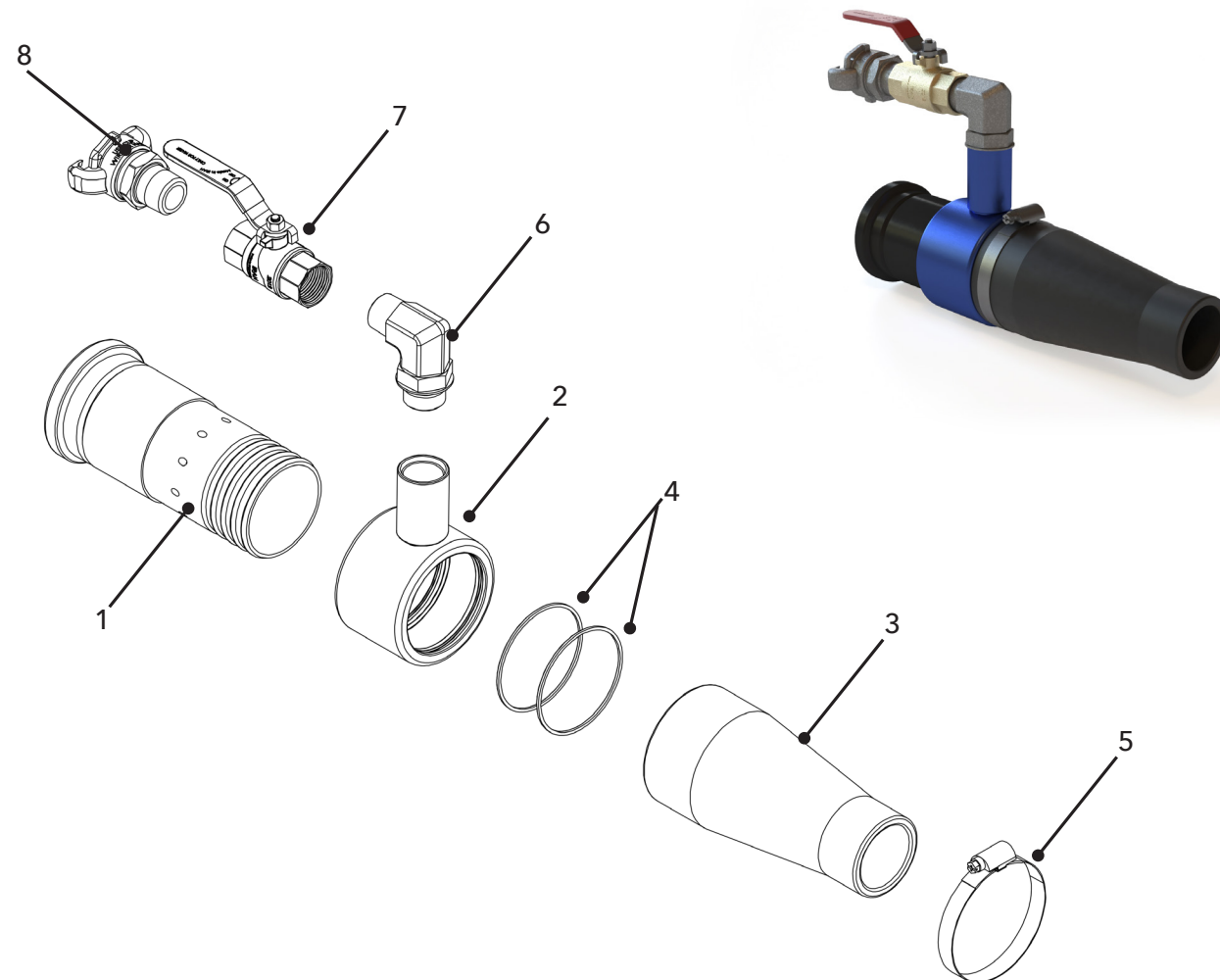


SN200APD 2" Single-Port Shotcrete Nozzle, Airplaco Style, Grooved End, 3/4" Air Inlet \$215.00				
LINE	QTY	PART NUMBER	DESCRIPTION	PRICE
1	1	SN202APD	NOZZLE BODY, 2", Raised End, AP Style	\$45.00
2	1	SN203AP	AIR-RING, 2" with 3/4" Welded Nipple, Airplaco Style	\$105.00
3	1	SN220	NOZZLE TIP, 2" Shotcrete Nozzle (Long)	\$16.50
4	2	SN201AP-PKG	O-RING, 2 Each Required. Sold in Package of 25	\$8.50
5	2	023.8012-08	CLAMP, for Nozzle Tip	\$2.50
6	1	SN219	THUMB SCREW, 1/4"-20 x 3/4" Length	\$1.85
7	1	SN208AP	FITTING, 3/4" Street Elbow, Galvanized	\$4.50
8	1	SN217	3/4" Ball Valve	\$19.50
9	1	SN218	FITTING, 3/4" Male Pipe x Air King	\$9.50



SHOTCRETE NOZZLES | Single-Port Nozzles

SN250D 2.5" Single-Port Shotcrete Nozzle, Raised End					\$250.00
LINE	QTY	PART NUMBER	DESCRIPTION	PRICE	
1	1	SN252D	NOZZLE BODY, 2 1/2", Raised End	\$65.00	
2	1	SN253	AIR-RING, 2 1/2", with 3/4" Welded Nipple	\$153.00	
3	1	SN254	NOZZLE TIP, 2 1/2" Shotcrete Nozzle	\$18.50	
4	2	SN251-PKG	O-RING, 2 Each Required. Sold in Package of 10	\$7.25	
5	1	023.8014-08	CLAMP, for Nozzle Tip	\$4.50	
6	1	SN208AP.01	FITTING, 12MOR x 12MP, 90° Elbow	\$9.95	
7	1	SN217	3/4" Ball Valve	\$19.50	
8	1	SN218	FITTING, 3/4" Male Pipe x 3/4" Air King	\$9.50	



SHOTCRETE NOZZLES | Fittings and Adapters

HOSE ADAPTER		
PART NUMBER	DESCRIPTION	PRICE
SN231T	Hose Adapter	\$27.50

The hose adapter can be used to adapt a 3/4" Air-King Chicago style fitting to a garden hose fitting. The hose adapter can also be used with the blow-off pipe (see at page 31).



The accelerator pump is used in conjunction with the dual-port nozzle to add accelerators and additives to the shotcrete mix at the nozzle.



ACCELERATOR PUMP		
PART NUMBER	DESCRIPTION	PRICE
40506	Accelerator Mix Pump and Enclosure	\$1,110.00
40506.02	Replacement Pump	\$599.00

AIR KING TRIPLE CONNECTOR		
PART NUMBER	DESCRIPTION	PRICE
40510	Air King Triple Connector	\$20.00

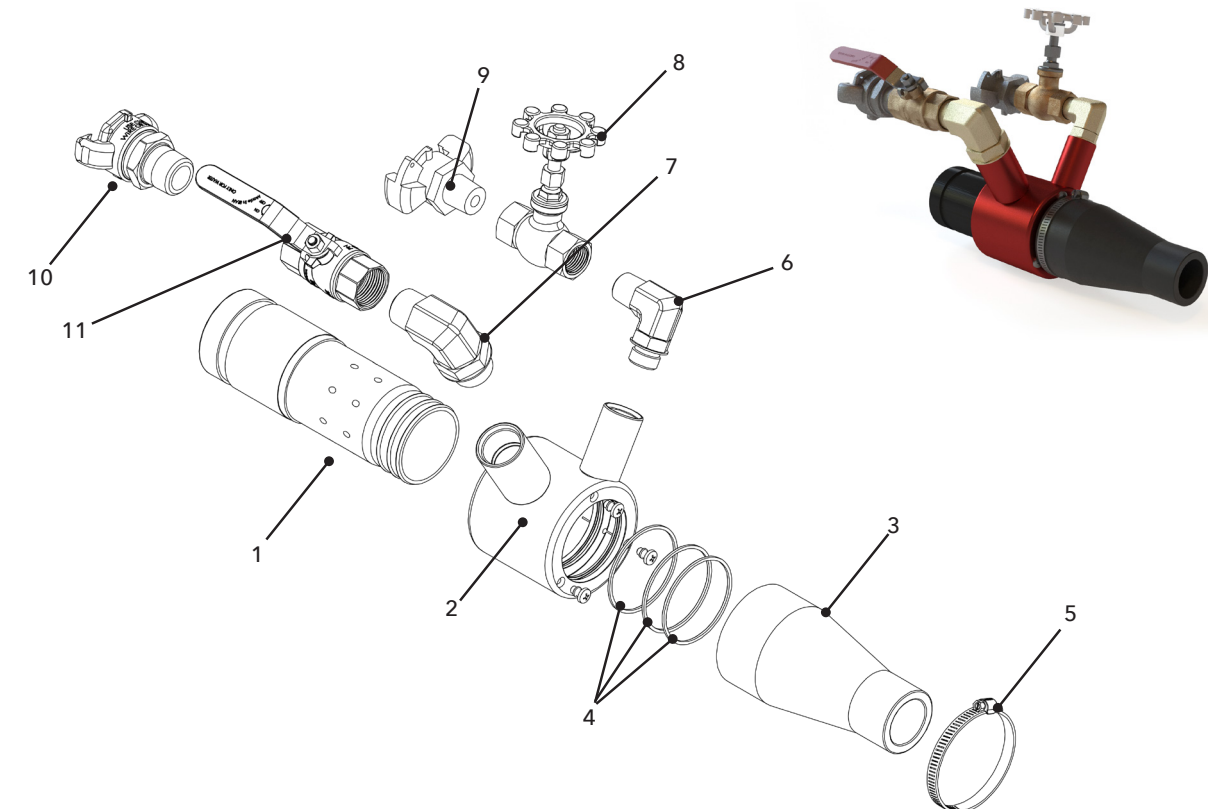
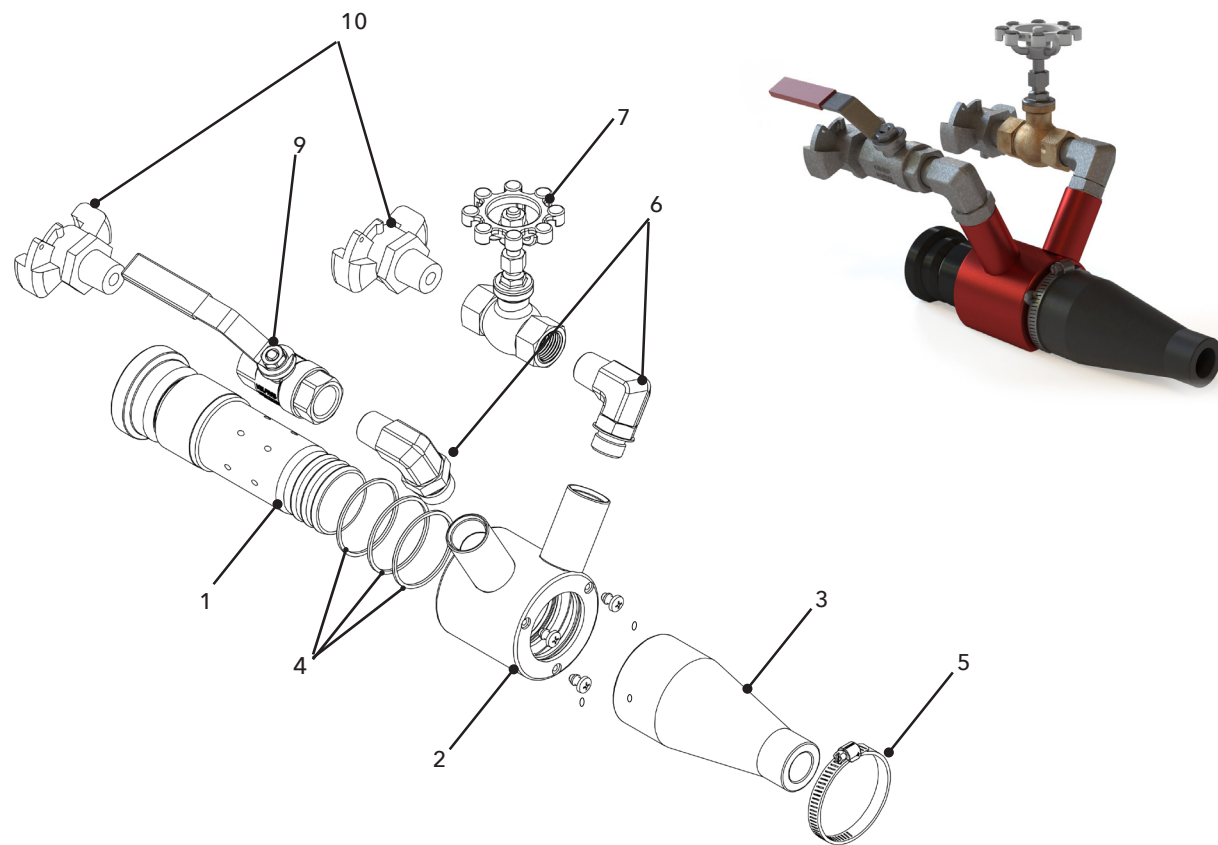
The Air-King triple connector provides an additional outlet to the line.



SHOTCRETE NOZZLES | Dual-Port Nozzles

SN150DPR				
1.5" Dual-Port Shotcrete Nozzle, Raised End				\$310.00
LINE	QTY	PART NUMBER	DESCRIPTION	PRICE
1	1	SN152DPR	NOZZLE BODY, 1 1/2", Raised End, Dual Port	\$86.00
2	1	SN153DP	AIR-RING, 1 1/2", with 1/2" Welded Nipple	\$195.00
3	1	SN155L	NOZZLE TIP, 1 1/2" Shotcrete Nozzle	\$16.00
4	3	SN151-PKG	O-RING, 3 Each Required. Sold in Package of 10	\$7.50
5	1	023.8009-08	CLAMP, for Nozzle Tip	\$2.20
6	2	SN208.01	FITTING, 10MOR-08MP Elbow, 90°	\$7.95
7	1	SN253A.01	Globe Valve, 1/2"	\$22.00
8	2	SN216	FITTING, 1/2" Male Pipe x Air King	\$3.50
9	1	SN213	1/2" Ball Valve	\$14.20

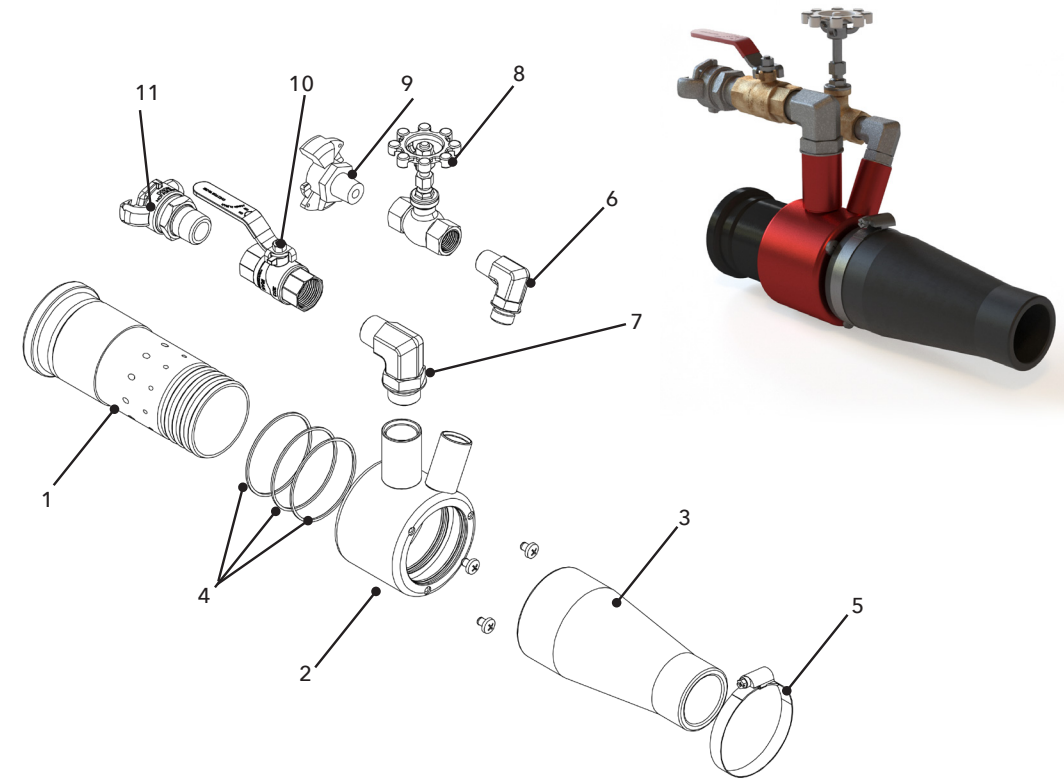
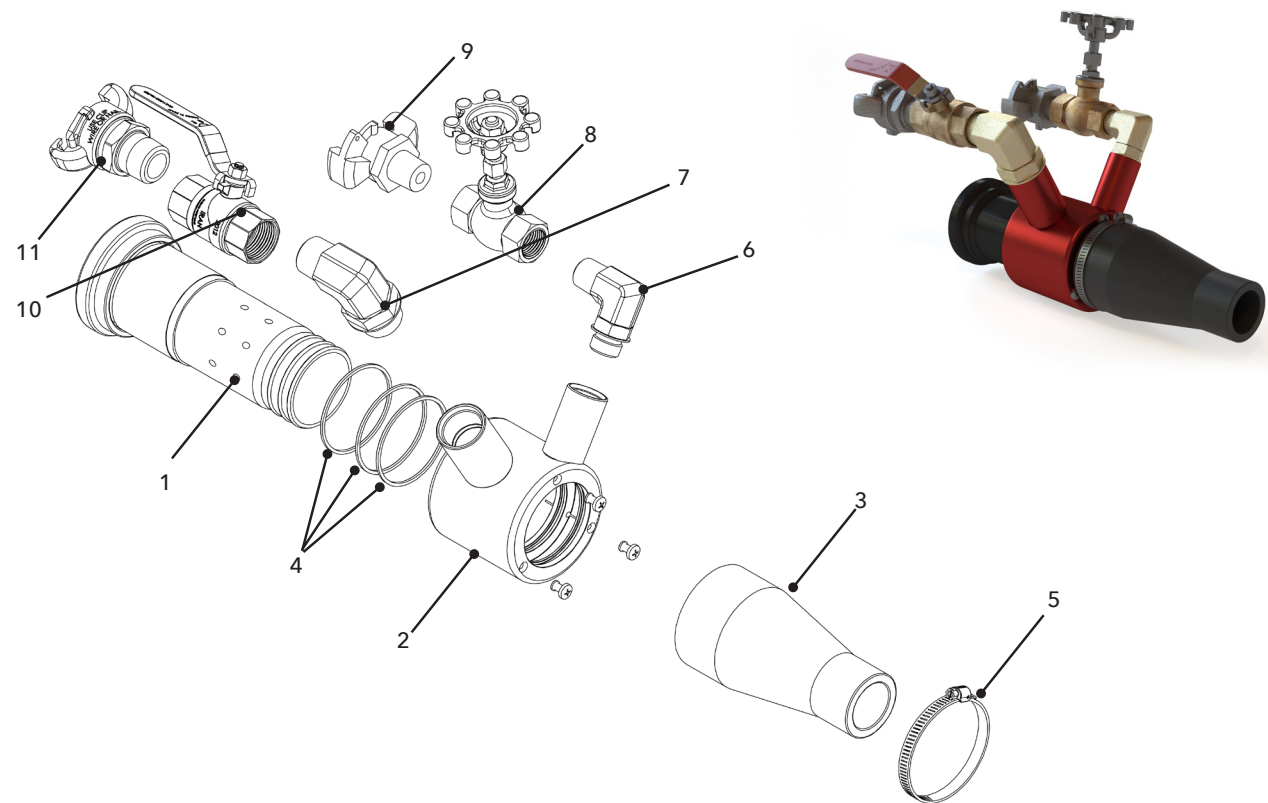
SN200DPG				
2" Dual-Port Shotcrete Nozzle, Grooved End				\$310.00
LINE	QTY	PART NUMBER	DESCRIPTION	PRICE
1	1	SN202DPG	NOZZLE BODY, 2", Grooved End	\$50.00
2	1	SN203DP	AIR-RING, 2" with Welded Nipples	\$195.00
3	1	SN230	NOZZLE TIP, 2" Shotcrete Nozzle	\$15.00
4	3	SN201-PKG	O-RING, 3 Each Required. Sold in Package of 25	\$10.75
5	1	023.8012-08	CLAMP, for Nozzle Tip	\$2.50
6	1	SN208.01	FITTING, 10MOR-08MP Elbow, 90°	\$7.95
7	1	SN208AP.01	FITTING, 12MOR x 12MP, 90° Elbow	\$9.95
8	1	SN253A.01	GLOBE VALVE, 1/2"	\$22.00
9	1	SN216	FITTING, 1/2" Male Pipe x Air King	\$3.50
10	1	SN218	FITTING, 3/4" Male Pipe x Air King	\$9.50
11	1	SN217	BALL VALVE, 3/4"	\$19.50



SHOTCRETE NOZZLES | Dual-Port Nozzles

SN200DPR				
2" Dual-Port Shotcrete Nozzle, Raised End				\$318.00
LINE	QTY	PART NUMBER	DESCRIPTION	PRICE
1	1	SN202DPR	NOZZLE BODY, 2", Raised End	\$54.00
2	1	SN203DP	AIR-RING, 2" with Welded Nipples	\$195.00
3	1	SN230	NOZZLE TIP, 2" Shotcrete Nozzle	\$15.00
4	3	SN201-PKG	O-RING, 3 Each Required. Sold in Package of 25	\$10.75
5	1	023.8012-08	CLAMP, for Nozzle Tip	\$2.50
6	1	SN208.01	FITTING, 10MOR-08MP Elbow, 90°	\$7.95
7	1	SN208AP.01	FITTING, 12MOR x 12MP, 90° Elbow	\$9.95
8	1	SN253A.01	GLOBE VALVE, ½"	\$22.00
9	1	SN216	FITTING, ½" Male Pipe x Air King	\$3.50
10	1	SN217	BALL VALVE, ¾"	\$19.50
11	1	SN218	FITTING, ¾" Male Pipe x Air King	\$9.50

SN250DPR				
2.5" Dual-Port Shotcrete Nozzle, Raised End				\$365.00
LINE	QTY	PART NUMBER	DESCRIPTION	PRICE
1	1	SN252DPR	NOZZLE BODY, 2 ½" Raised-End, Dual-Port	\$75.00
2	1	SN253DP	AIR-RING, 2 ½" with Welded Nipple	\$195.00
3	1	SN254	NOZZLE TIP, 2 ½" Shotcrete Nozzle	\$18.50
4	3	SN251-PKG	O-RING, 3 Each Required. Sold in Package of 10	\$7.25
5	1	023.8014-08	CLAMP, for Nozzle Tip	\$4.50
6	1	SN208.01	FITTING, 10MOR-08MP Elbow, 90°	\$7.95
7	1	SN208AP.01	FITTING, 12MOR-12MP 90° Elbow	\$9.95
8	1	SN253A.01	GLOBE VALVE, ½"	\$22.00
9	1	SN216	FITTING, ½" Male Pipe x Air King	\$3.50
10	1	SN217	BALL VALVE, ¾"	\$19.50
11	1	SN218	FITTING, ¾" Male Pipe x Air King	\$9.50



CONCRETE PLACING SUPPLIES | Couplings & Reducers

ACME SNAP COUPLINGS 1 1/2" - 5" Size Range		
PART NUMBER	DESCRIPTION	PRICE
C15SD	1 1/2" Snap Coupling (for Raised Ends)	\$52.70
C20SG-A	2" Snap Coupling (for Grooved Ends)	\$35.00
C20SD-A	2" Snap Coupling (for Raised Ends)	\$42.00
C25SD-A	2 1/2" Snap Coupling (for Raised Ends)	\$44.00
C30SD-A	3" Snap Coupling (for Raised Ends)	\$46.00
C40SD-A	4" Snap Coupling (for Raised Ends)	\$46.00
C50SD-A	5" Snap Coupling (for Raised Ends)	\$65.18

Acme premium snap couplings are used to connect reducers, placing line, and pipe bends. Snap couplings range in size from 1 1/2" - 5".



SNAP COUPLING GASKETS 1 1/2" - 5" Size Range		
PART NUMBER	DESCRIPTION	PRICE
CG15D	1 1/2" Gasket (for Raised Ends)	\$6.00
CG20G	2" Gasket (for Grooved Ends)	\$5.50
CG20D	2" Gasket (for Raised Ends)	\$5.25
CG25D	2 1/2" Gasket (for Raised Ends)	\$5.40
CG30D	3" Gasket (for Raised Ends)	\$5.70
CG40D	4" Gasket (for Raised Ends)	\$5.75
CG50D	5" Gasket (for Raised Ends)	\$5.75

Snap couplings gaskets are replaceable to extend the life of the snap coupling. Snap coupling gaskets range in size from 1 1/2" - 5".



ELBOW REDUCERS			
PART NUMBER	END A	END B	PRICE
RE4030DH	4"	3"	\$195.00
RE5030DH	5"	3"	\$185.00
RE5040DH	5"	4"	\$229.61

Elbow reducers range in size reduction from 5" down to 3". All reducers are powder-coated and heat-treated for durability.



CONCRETE PLACING SUPPLIES | Reducers

STRAIGHT REDUCERS Value Line				
PART NUMBER	END A	END B	LENGTH	PRICE
R201515DH-PT	2"	1 1/2"	15"	\$155.00
R252028DH-AGL	2 1/2"	2"	28"	\$145.00
R302012DH-AGL	3"	2"	12"	\$100.00
R302028DH-AGL	3"	2"	28"	\$185.00
R302036DH-AGL	3"	2"	36"	\$168.00
R302512DH-AGL	3"	2 1/2"	12"	\$145.00
R302528DH-AGL	3"	2 1/2"	28"	\$175.00
R403012DH-AGL	4"	3"	12"	\$160.00
R403015DH-AGL	4"	3"	15"	\$165.00

Straight reducers come in various sizes. All of our reducers are heat-treated and powder-coated for durability.

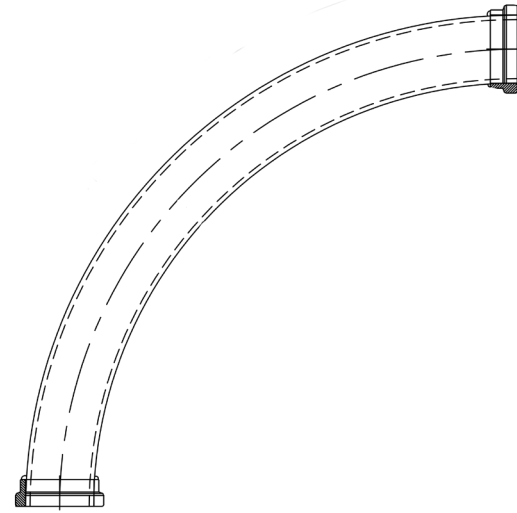


STRAIGHT REDUCERS Premium Line				
PART NUMBER	END A	END B	LENGTH	PRICE
R252019DH-ACME	2 1/2"	2"	19"	\$185.00
R252028DH-ACME	2 1/2"	2"	28"	\$195.00
R302012DH-ACME	3"	2"	12"	\$190.41
R302015DH-ACME	3"	2"	15"	\$195.00
R302028DH-ACME	3"	2"	28"	\$195.00
R302035DH-ACME	3"	2"	35"	\$205.00
R302519DH-ACME	3"	2 1/2"	19"	\$185.00
R302535DH-ACME	3"	2 1/2"	35"	\$210.00
R402039DH-ACME	4"	2"	39"	\$275.00
R403012DH-ACME	4"	3"	12"	\$180.00

CONCRETE PLACING SUPPLIES | Pipe Bends & Placing Line

PIPE BENDS 2" - 2 1/2" Diameter Pipe				
PART NUMBER	PIPE SIZE	BEND ANGLE	BEND RADIUS	PRICE
PB202216DH	2"	22.5°	16"	\$48.00
PB209024DH	2"	90°	24"	\$192.55
PB209016DH	2"	90°	16"	\$130.00
PB252216DH	2 1/2"	22.5°	16"	\$100.00
PB252224DH	2 1/2"	22.5°	24"	\$110.00
PB254516DH	2 1/2"	45°	16"	\$105.00
PB254524DH	2 1/2"	45°	24"	\$125.00
PB259016DH	2 1/2"	90°	16"	\$175.00
PB259024DH	2 1/2"	90°	24"	\$195.00

Pipe bends are available in 2" and 2 1/2" pipe diameter. Pipe bends are available with 22.5°, 45°, and 90° angle bends.



PLACING LINE 2" - 3" Diameter Pipe			
PART NUMBER	PIPE SIZE	PIPE LENGTH	PRICE
PL2010D	2"	10 Ft.	\$126.50
PL2503D	2 1/2"	3 Ft.	\$70.00
PL2505D	2 1/2"	5 Ft.	\$95.00
PL2510D	2 1/2"	10 Ft.	\$145.00
PL2521D	2 1/2"	21 Ft.	\$220.00
PL3010D	3"	10 Ft.	\$160.00
PL3021D	3"	21 Ft.	\$250.00

Placing line is available in 2", 2 1/2", and 3" pipe diameter.



CONCRETE PLACING SUPPLIES | Pipes & Hose

HEAVY-DUTY SHOTCRETE HOSE 2-2 1/2" Diameter Hose 1000 PSI Working Pressure							
PART NUMBER	DESCRIPTION	HOSE DIAMETER	END A	END B	LENGTH	MATERIAL TYPE	PRICE
H2025-X3-D	X-Braid Hose	2"	Raised	Raised	25 Ft.	Wire	\$495.00
H2050-X3-D	X-Braid Hose	2"	Raised	Raised	50 Ft.	Wire	\$695.00
H2050-X3	X-Braid Hose	2"	Grooved	Grooved	50 Ft.	Wire	\$695.00
H2050-X3-G-D	X-Braid Hose	2"	Grooved	Raised	50 Ft.	Wire	\$695.00
H2525-X3-D	X-Braid Hose	2 1/2"	Raised	Raised	25 Ft.	Wire	\$595.00
H2550-X3-D	X-Braid Hose	2 1/2"	Raised	Raised	50 Ft.	Wire	\$970.00

Our premium shotcrete hose is extremely flexible and lightweight. It has a 1000 psi working pressure. It is recommended for nozzle length and more robust applications. Grey Stripe.



HEAVY-DUTY LINE PUMPING HOSE 2-2 1/2" Diameter Hose 1233 PSI Working Pressure 2900 Burst Pressure							
PART NUMBER	DESCRIPTION	HOSE DIAMETER	END A	END B	LENGTH	MATERIAL TYPE	PRICE
H2050-EM	Eaton Marauder Braided Hose	2"	Raised	Raised	50 Ft.	Wire	\$650.00

This hose is especially well-suited for high pressure concrete pumping and shotcrete. It is very tough and durable with a 1233 psi working pressure. 2900 psi burst Pressure. Not recommended for nozzle length applications.



Use Y-pipes to split from one line to two.



Y-PIPE 2.5" - 4" Diameter Pipe		
PART NUMBER	DESCRIPTION	PRICE
PY25D	2 1/2" Y-pipe (Raised Ends)	\$250.00
PY30D	3" Y-pipe (Raised Ends)	\$260.00
PY40D	4" Y-pipe (Raised Ends)	\$275.00

CONCRETE PLACING SUPPLIES | Air Hose & Accessories

AIR HOSE 3/4" Diameter Hose

PART NUMBER	DESCRIPTION	LENGTH	PRICE
40529	3/4" Air Hose w/ Air King Fittings	50 Ft.	\$54.00

Air hose has 300 psi working pressure. It is suitable for running air to the shotcrete nozzle.



Whip check hoses provide additional safety when hoses fail.



WHIP CHECK HOSE

PART NUMBER	DESCRIPTION	PRICE
40529.02	Air Hose Whip Check Hose-to-Hose, for 1/2" - 1-1/4" ID, 1/8" Cable Diameter	\$17.40
40529.03	Whip Check Hose-to-Hose, for 1-1/2" to 3" ID, 1/4" Cable Diameter (for 2" Hose)	\$25.41

AIR HOSE MENDER

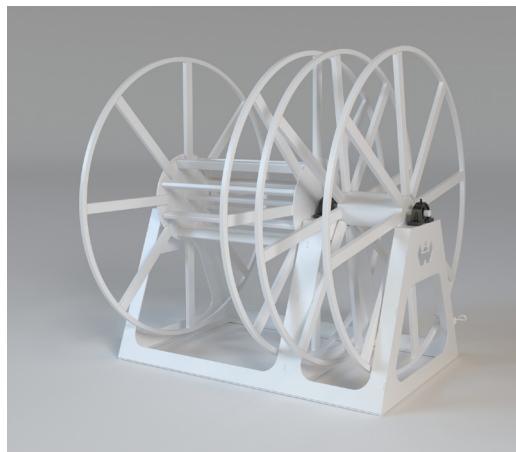
PART NUMBER	DESCRIPTION	PRICE
40529.01	3/4" Air Hose Mender	\$17.40



HOSE REEL

PART NUMBER	DESCRIPTION	PRICE
HR40X2	Hose Reel	\$6000.00

Hose reels keep your shotcrete hose and air hose neatly organized and can be truck mounted for convenience. 800 feet of 2" hose and 2,000 feet of 3/4" air/water hose can be spooled.



CONCRETE PLACING SUPPLIES | Adapters & Fittings

ADAPTERS

PART NUMBER	DESCRIPTION	END A	END B	PRICE
AD20DFP	2" Adapter	Raised	Female Pipe	\$20.00
AD20DMP	2" Adapter	Raised	Male Pipe	\$18.00
AD20GDH	2" Adapter	Grooved	Raised	\$25.00
AD20GFP	2" Adapter	Grooved	Female Pipe	\$26.00
AD20GMP	2" Adapter	Grooved	Male Pipe	\$15.00
AD25DFP	2 1/2" Adapter	Raised	Female Pipe	\$22.00
AD25DMP	2 1/2" Adapter	Raised	Male Pipe	\$26.00
AD25GD	2 1/2" Adapter	Grooved	Raised	\$26.00
AD25GFP	2 1/2" Adapter	Grooved	Female Pipe	\$25.00

Adapters and fittings are useful to join different types of ends and connections together.



AD20DMP

HOSE BARB FITTINGS

PART NUMBER	DESCRIPTION	PRICE
40537.02	Hose Barb x Female GHT	\$5.75
40537.03	Hose Barb x Male GHT	\$6.25
40511	Hose Barb x Air King Fitting	\$4.52



40537.02



40537.03



40511

HAMMER SHUT-OFF VALVE

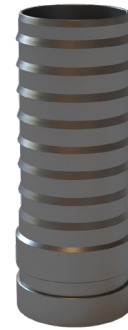
PART NUMBER	DESCRIPTION	PRICE
40561	2 1/2" Hammer Shut-off Valve with Raised Ends	\$158.00



CONCRETE PLACING SUPPLIES | Hose Ends

HOSE ENDS with Grooved End		
PART NUMBER	DESCRIPTION	PRICE
HE150	1 ½" Hose End with Grooved End	\$23.00
HE201	2" Hose End with Grooved End	\$28.00
HE201L	2" Long Hose End with Grooved End	\$29.00
HE250	2 ½" Hose End with Grooved End	\$34.00

Our hose ends are built in-house and heat-treated for maximum durability. Select from 1 ½", 2", and 2 ½" diameter. Comes with a grooved (Victaulic) end.

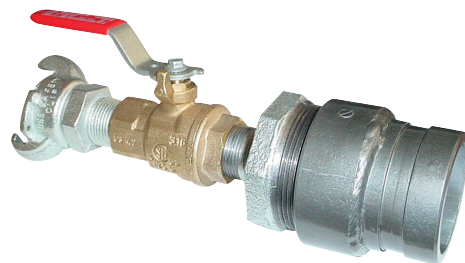


HOSE ENDS with Raised End		
PART NUMBER	DESCRIPTION	PRICE
HE150D	1 ½" Hose End with Raised End	\$40.00
HE201D	2" Hose End with Raised End	\$28.00
HE201DL	2" Extra-Long Hose End with Raised End	\$30.00
HE250D	2 ½" Hose End with Raised End	\$38.50
HE300D	3" Hose End with Raised End	\$35.00

Our hose ends are built in-house and heat-treated for maximum durability. Select from 1 ½", 2", and 2 ½" diameter. Comes with a raised (Heavy Duty) end.



Blow-out fittings are designed to clean out concrete hose after a job is complete. Choose from 2" grooved, 2" raised end, and 2.5" raised end.



BLOW-OUT FITTING		
PART NUMBER	DESCRIPTION	PRICE
40502	2" Grooved blow-out fitting with valve	\$74.00
40502D	2" Raised end blow-out fitting with valve	\$76.00
40502.5D	2.5" Raised end blow-out fitting with valve	\$82.00

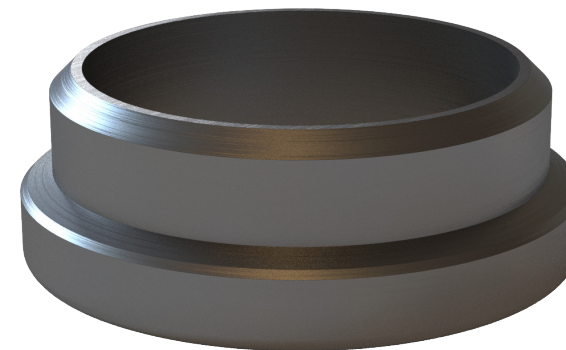
CONCRETE PLACING SUPPLIES | Weld Ends

WELD-ENDS Slip-Over Style		
PART NUMBER	DESCRIPTION	PRICE
WE20DS	2" Weld-End	\$15.00
WE30DS	3" Weld-End	\$16.75
WE40DS	4" Weld-End	\$17.75

Weld-ends can be slipped over placing line and nozzles to convert grooved (Victaulic) parts to adapt to raised (heavy-duty) couplings.



Weld-ends can be butted to placing line to convert the parts to adapt to raised (heavy-duty) couplings.



WELD ENDS Butt-End Style		
PART NUMBER	DESCRIPTION	PRICE
WE15D	1 ½" Weld-End	\$10.00
WE20D	2" Weld-End	\$14.50
WE25D	2 ½" Weld-End	\$17.00
WE30D	3" Weld-End	\$18.00
WE40D	4" Weld-End	\$21.40
WE50D	5" Weld-End	\$25.00

WELD ENDS For Grooved Ends		
PART NUMBER	DESCRIPTION	PRICE
WE15G	1 ½" Weld-End	\$10.00
WE20G	2" Weld-End	\$13.00
WE25G	2 ½" Weld-End	\$17.00

Weld-ends can be joined to hose ends and nozzles to convert the parts to adapt to grooved (Victaulic) couplings.



TOOLS

Chipping guns are useful in cleanup to remove hardened concrete from surfaces.



CHIPPING GUN		
PART NUMBER	DESCRIPTION	PRICE
40522	JET Chipping Gun with Chisel	\$360.00
40522A	JET Chipping Gun with Hose and Chisel	\$385.00
40522.001	Replacement Chisel, 7" Length	\$12.00
40522.001-12	Replacement Chisel, 12" Length	\$14.00

PUMP BOSS II REMOTE CONTROL For Shotcrete Pump Control		
PART NUMBER	DESCRIPTION	PRICE
84210	Shotcrete pump remote control, 1000' range.	\$1,100.00

The Pump Boss II remote control by Remtron is used to remote control shotcrete pumps on the job. 1000' line of sight range.



Cut-off tools are used in the field to cut pump hose.



40538

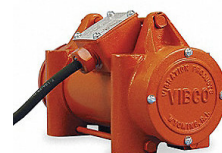


40539

CUT-OFF TOOL		
PART NUMBER	DESCRIPTION	PRICE
40538.01	Cut-off tool with 60" whip hose and Air-King Fitting	\$88.50
40538	Cut-off tool	\$55.00
40539	Cut-off wheel (3" x 1/16" x 3/8" arbor 36 grit)	\$14.50

VIBRATOR For Shotcrete Pumps		
PART NUMBER	DESCRIPTION	PRICE
85129.02	Vibco V-250 Pneumatic Vibrator	\$260.00

The Vibco V-250 pneumatic vibrator can be attached to a hopper to help concrete move easier through the hopper grate.

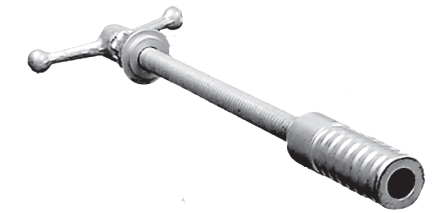


TOOLS

HOSE END INSTALLATION TOOL For repairing hoses in the field.

PART NUMBER	DESCRIPTION	PRICE
40503	Hose end installation tool for 2" hose	\$262.00
40503.09	Barb adapter for 2.5" hoses	\$66.50
40503.12	Barb/rod for 1.5" hoses	\$120.00

The hose end installation tool is used to install hose ends in the field. The tool is used for 2" hose. The barb adapter can be purchased for use with 2.5" hoses.



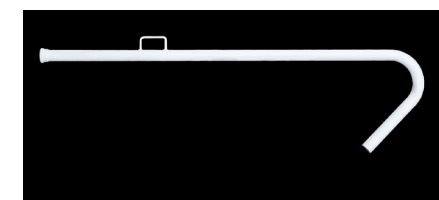
The hand banding tool is used to tighten center-punch clamps when replacing hose ends.



HAND BANDING TOOL		
PART NUMBER	DESCRIPTION	PRICE
40521	Hand banding tool	\$257.77

CENTER-PUNCH CLAMPS		
PART NUMBER	DESCRIPTION	PRICE
CP05B	1.25" clamp, box of 100, Steel	\$55.45
CP05SSB	1.25" clamp, box of 100, Stainless	\$150.00
CP12B	3" clamp, box of 50, Stainless Steel	\$125.00
CP14B	3.5" clamp, box of 50, Stainless Steel	\$137.45
CP16B	4" clamp, box of 25, Stainless Steel	\$80.50

Center-punch clamps can be used in the field with the hand banding tool to repair hoses that break.
CP05B for 3/4" air hose
CB12B for 2" Grooved Hose
CB14B for 2" Raised Hose
CB16B for 2.5" Hose



CLEAN-OUT TOOLS		
PART NUMBER	DESCRIPTION	PRICE
40554	Clean-out Tray (46" x 72")	\$187.00
40553D	2" Clean-out Hook, HD (84" Length)	\$127.00
40553G	2" Clean-out Hook, Grooved (84")	\$127.00

CONCRETE FINISHING TOOLS

FINISHING TOOLS Gunite Rods and Fresno Tools			
LINE	PART NUMBER	DESCRIPTION	PRICE
1	40549	48" Wood Rod	\$104.50
2	40551.02	24" Aluminum Rod	\$155.00
3	40551.01	36" Aluminum Rod	\$162.00
4	40550	48" Aluminum Rod	\$183.25
5	40551	72" Aluminum Rod	\$359.00
6	40541	24" Flex Fresno	\$87.00
7	40542	24" Rigid Fresno	\$84.55
8	40548	48" Wood Darby	\$63.00

Finishing tools are used at the end of the shotcrete process to shape and smooth the concrete.

1.



2-5.



6-7.



8.



CONCRETE FINISHING TOOLS

GROUND WIRE & PENCIL ROD		
PART NUMBER	DESCRIPTION	PRICE
40514	60 lb. bundle of ground wire	\$231.60
40546	1/4" Pencil Rod, 4' Lengths (Bundle of 25)	\$35.00

Ground wire is used for setting concrete thicknesses for finishing. Pencil Rod is used to stake the line.



The blow-off pipe is used for preparing walls for concrete placement.

BLOW-OFF PIPE		
PART NUMBER	DESCRIPTION	PRICE
40520	Blow-off pipe with Air-King Fittings	\$39.00
40520.W	Blow-off pipe with Water Hose Fittings	\$39.00



SLURRY		
PART NUMBER	DESCRIPTION	PRICE
40501	50 lb. Bag of Slurry	\$25.00
40501P	5 Gallon Pail of Slurry	\$25.00

Slurry is used to prepare the line for spraying concrete.



Sponge balls (also known as Godevils) are used to clean concrete placing equipment.



CLEAN-OUT SPONGE BALLS		
PART NUMBER	DESCRIPTION	PRICE
40552.20S	Soft Sponge Ball, 2"	\$4.70
40552.25S	Soft Sponge Ball, 2 1/2"	\$5.45



3026 South Scott Lane
West Haven, UT 84401
Ph. 385.389.2630
www.wshotcrete.com
