
Parts List

FOR MODELS:
500 | 600 | X500

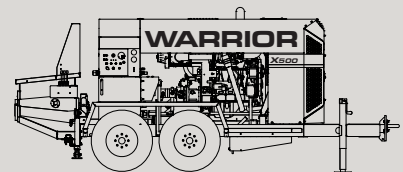
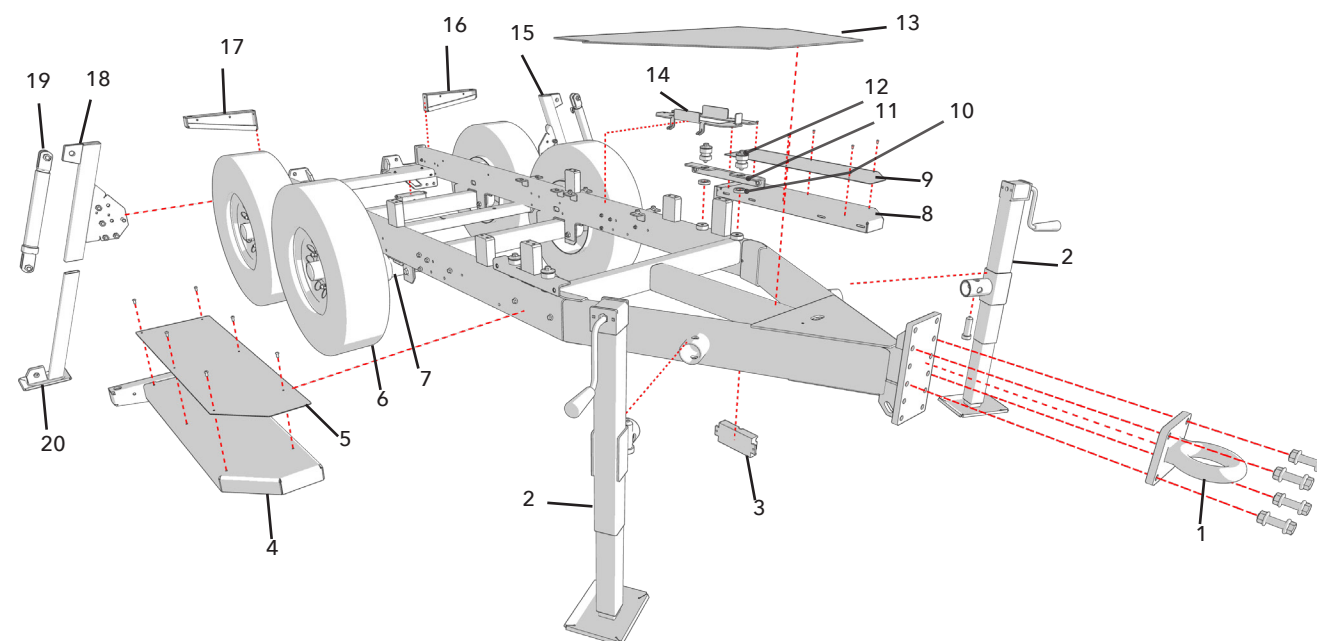


TABLE OF CONTENTS

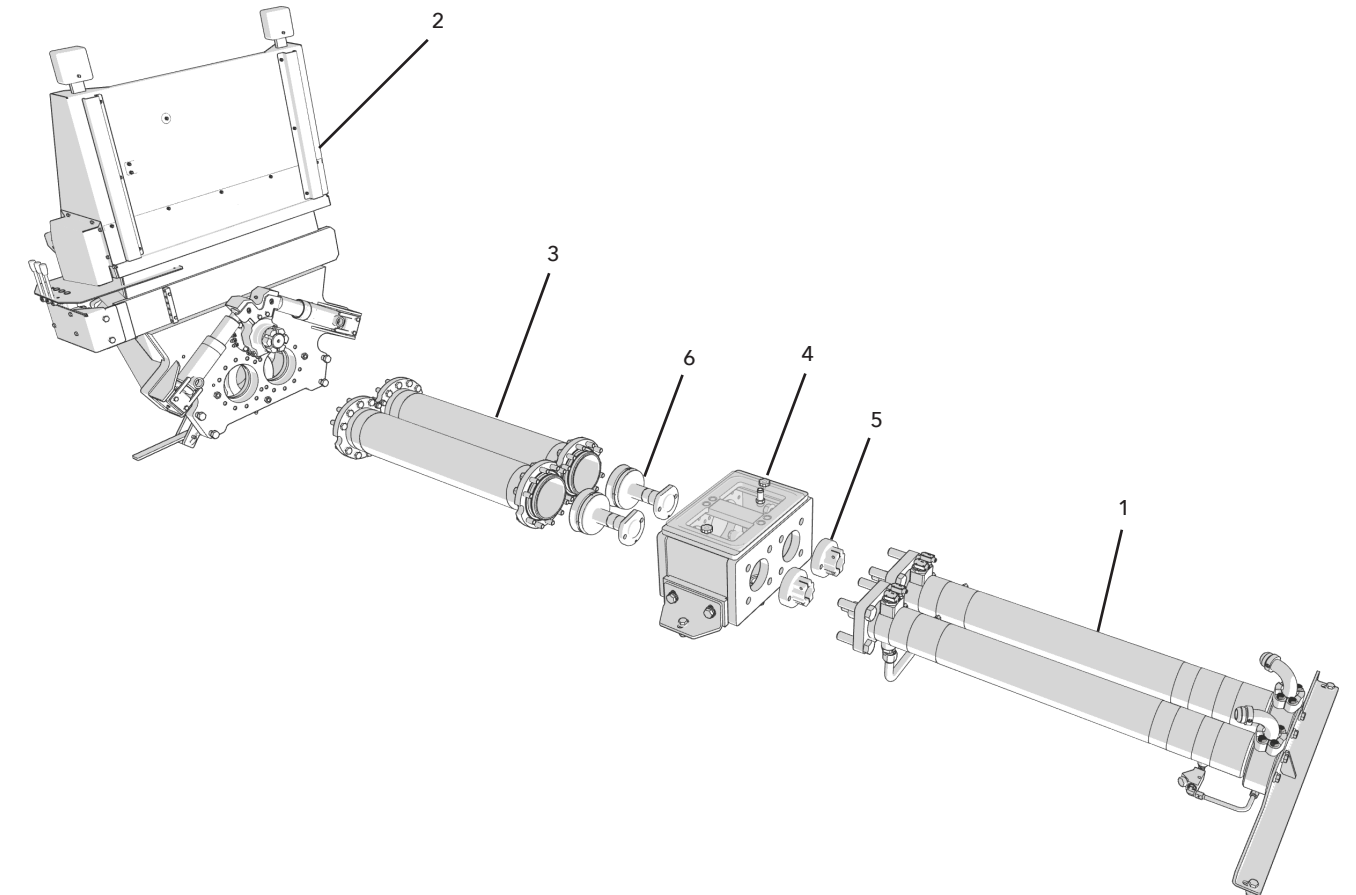
4	FRAME
5	FLATPACK
6	Hopper
12	Remixer
14	Hydraulic Cylinder
17	Material Cylinder
18	Cup Adapter
19	Water Box
20	FUEL TANK
22	ENGINE & RADIATOR
24	Engine
26	Radiator
28	HYDRAULIC TANK
30	Cycle Block
31	Control Block
32	BODY
34	CONTROL BOX
36	TUBES/LINES/MISCELLANEOUS

FRAME

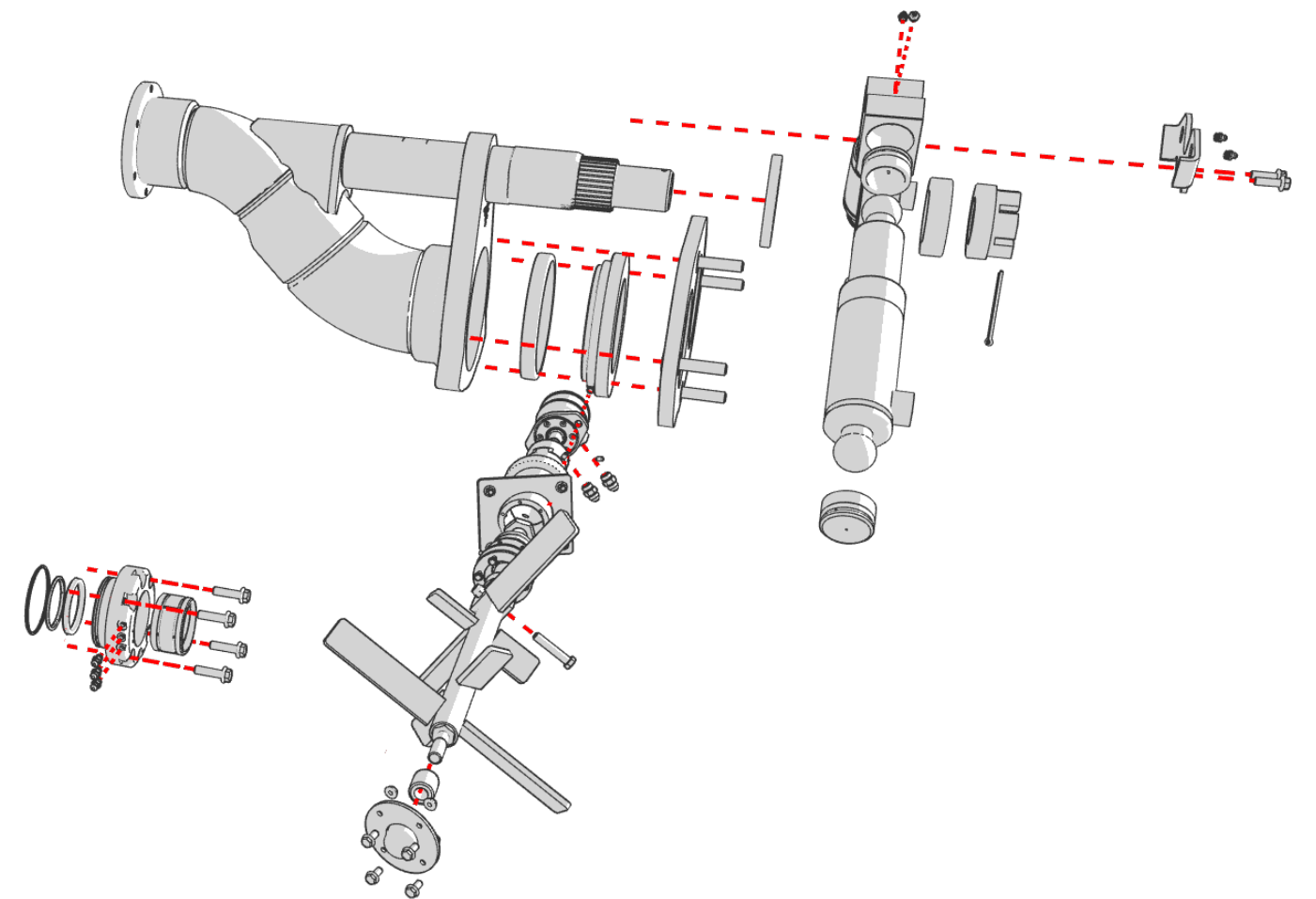
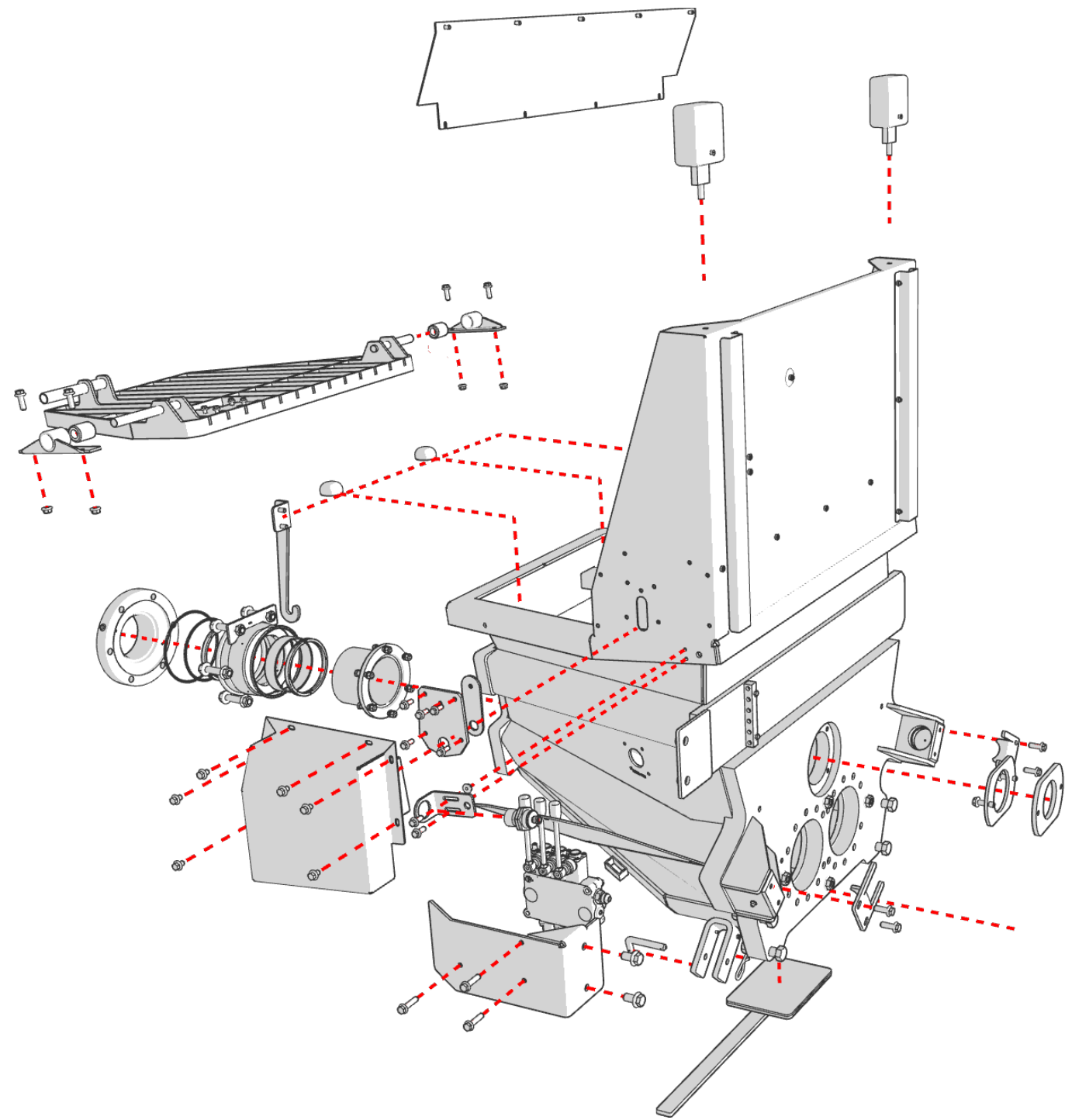
51000A X500 FRAME ASSEMBLY		
LINE	PART NUMBER	DESCRIPTION
1	81307	TOW RING
2	81055	JACK STAND
3	81159	7-WAY ELECTRICAL JUNCTION BOX
4	81210F	RH SIDE RUNNING BOARD
5	81210.01	RH SIDE DIAMOND PLATE FOR RUNNING BOARD
6	81114.01	TIRE/WHEEL ASSEMBLY (235/80R16)
7	51101	7K AXLE (SINGLE AXLE USES 8K AXLE- PN 81060.8K)
8	81211F	LH SIDE RUNNING BOARD
9	81211.01	LH SIDE DIAMOND PLATE FOR RUNNING BOARD
10	86510.02	ISOLATOR SPACER
11	86510.14	ISOLATOR MOUNTING BRACKET
12	86510.01V	RUBBER ISOLATOR
13	51009	DIAMOND PLATE TONGUE COVER
14	51018	DEF TANK MOUNT
15	81015A-L	LH SIDE OUTRIGGER MOUNT ASSEMBLY
16	51016	LH SIDE RUNNING BOARD/FENDER MOUNT
17	51017	RH SIDE RUNNING BOARD/FENDER MOUNT
18	81015A-R	RH SIDE OUTRIGGER MOUNT ASSEMBLY
19	83770	OUTRIGGER ASSEMBLY
20	81046	OUTRIGGER JACK STAND LEG



FLATPACK

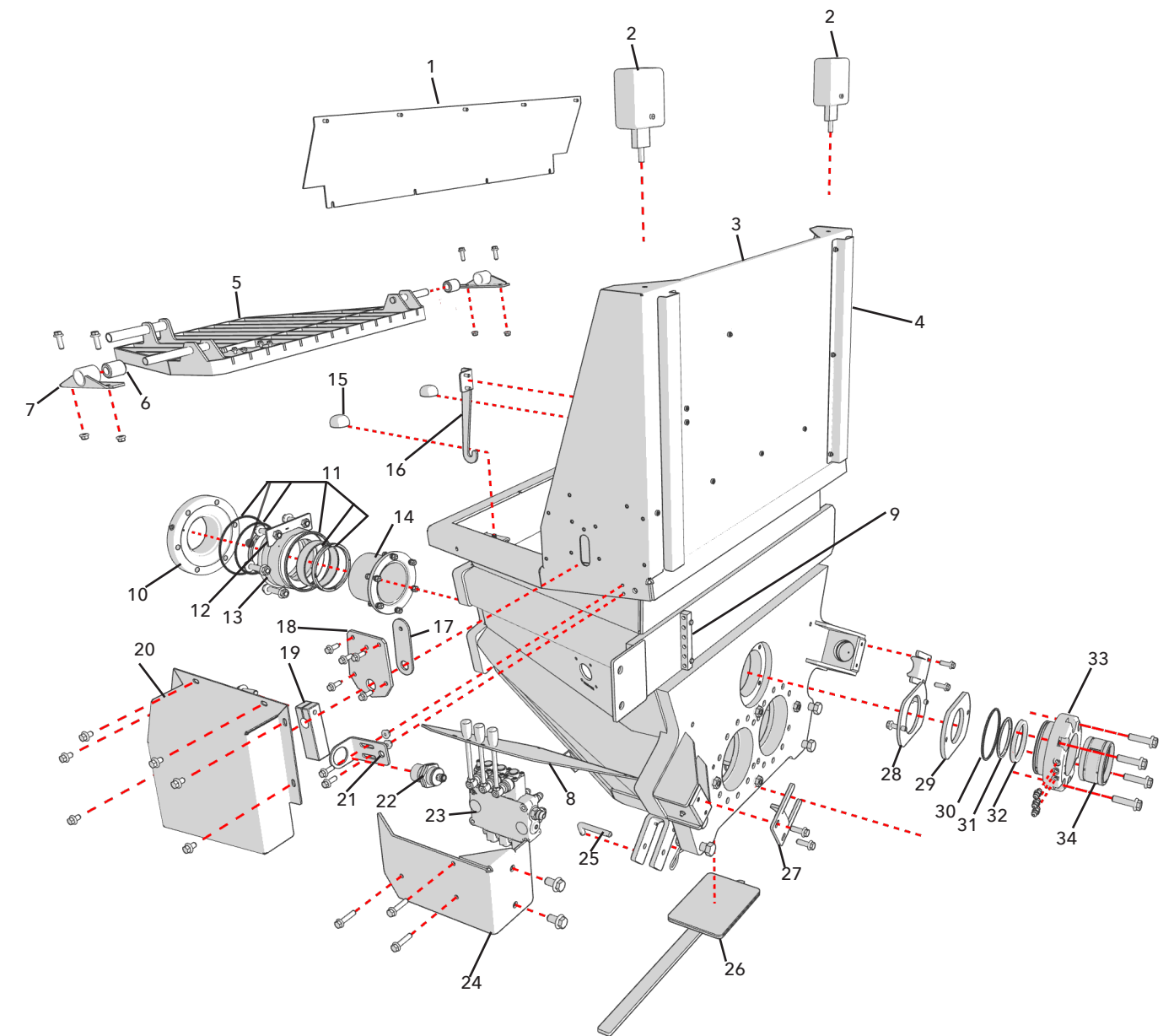


LINE	PART NUMBER	DESCRIPTION
1	83200A 83250A	HYDRAULIC CYLINDER ASSEMBLY (FOR X500 MODEL) HYDRAULIC CYLINDER ASSEMBLY (FOR 500, 600 MODELS)
2	85100A-DS	DUAL SHIFT HOPPER ASSEMBLY
3	85400A	MATERIAL CYLINDER ASSEMBLY
4	85600A	WATER BOX ASSEMBLY
5	85720	ROD ADAPTER
6	85773A	CUP ADAPTER ASSEMBLY



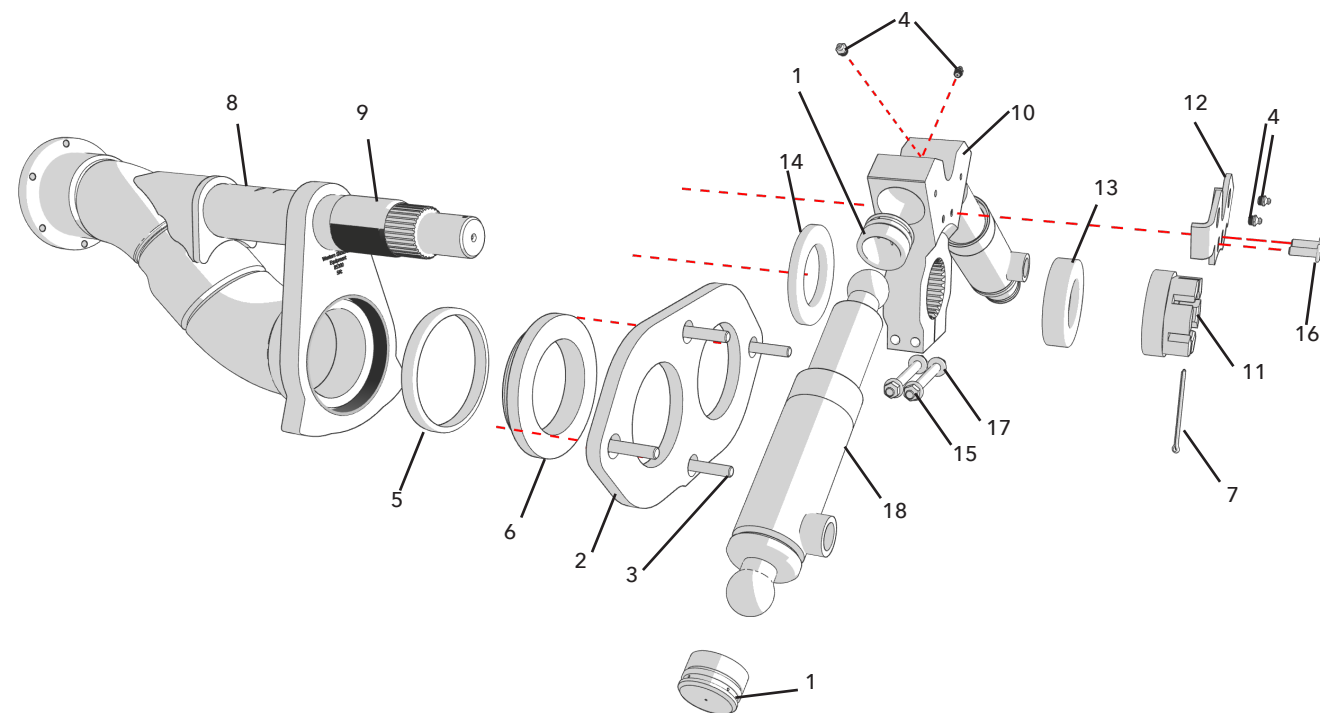
FLATPACK

Dual Shift Hopper Components		
LINE	PART NUMBER	DESCRIPTION
1	85104	SPLASH GUARD CONNECTOR PANEL
2	84172	LED HOPPER LIGHT
3	85105	SPLASH GUARD
4	85105.01	CONDUIT FOR HOPPER LIGHT
5	85125	HOPPER GRATE
6	85233	URETHANE BUSHING
7	85125.14A	HOPPER GRATE ISOLATOR MOUNT
8	85123.01	REMIXER CONTROL VALVE PROTECTIVE COVER
9	83876	GREASE MANIFOLD
10	85150	OUTLET FLANGE
11	85181-PM	OUTLET BEARING HOUSING SEAL KIT
12	85182	OUTLET BEARING RETAINER KEY
13	85180	OUTLET BEARING
14	85320	CHROME OUTLET
15	86200.03	URETHANE BUMPER
16	85127	HOPPER GRATE LATCH ASSEMBLY
17	85125.18	HOPPER SHUTOFF SENSOR SEAL
18	85125.21	SHUTOFF SENSOR SEAL RETAINER
19	85125.22	SHUTOFF SENSOR TRIGGER
20	85125.17	SHUTOFF SENSOR COVER
21	85125.19	SHUTOFF SENSOR MOUNT
22	84283	HOPPER SHUTOFF SENSOR
23	83720-P	REMIXER VALVE CONTROL
24	85123	REMIXER/OUTRIGGER CONTROL BRACKET
25	85147A	PIN/LANYARD FOR CLEAN-OUT DOOR
26	85140	CLEAN-OUT DOOR
27	85512.02.DS	BALL RETAINER PLATE
28	85184	SHAFT SEAL RETAINER PLATE
29	85183	URETHANE SHAFT SEAL
30	025.1248	OUTER SEAL O-RING FOR FLANGE BEARING
31	85166.03	WIPER SEAL
32	85166.05	INNER SEAL, FLANGE BEARING
33	85166.DS	DUAL SHIFT FLANGE BEARING
34	85162.DS	BRONZE FLANGE BEARING INSERT

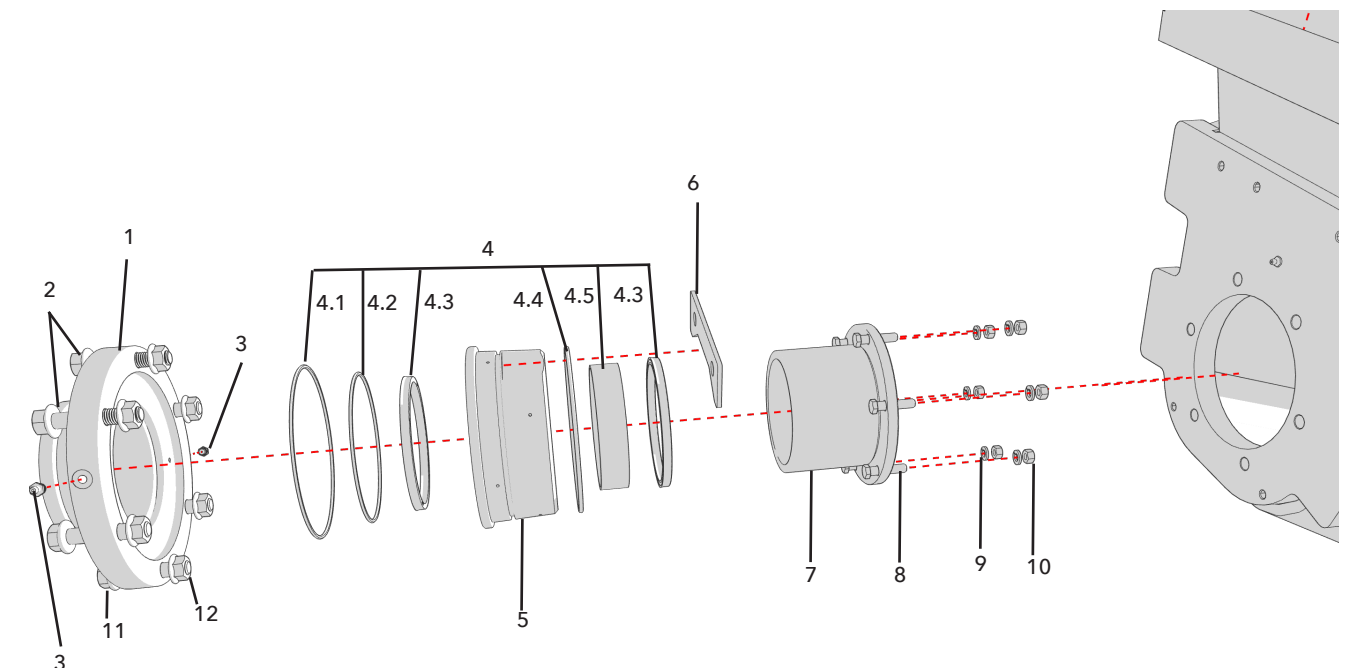


FLATPACK

Dual Shift Swingtube Components		
LINE	PART NUMBER	DESCRIPTION
1	85122.DS	NYLON SHIFT CYLINDER CUP
2	85131 85131-C	WEAR PLATE-HARDENED STEEL WEAR PLATE-CARBIDE
3	85132	5/8"-11 X 3.5" FLAT HEAD SCREW
4	85166.04	3/8"-24 GREASE FITTING
5	85335	WEAR RING SEAL
6	85336	WEAR RING
7	85515	COTTER PIN
8	85300-DS	SWINGTUBE
9	85301.01.DS	CHROME SLEEVE
10	85501.DS	BELL CRANK
11	85511.DS	CASTLE NUT
12	85512.01.DS	BALL REATAINER, BELL CRANK
13	85512.DS	THRUST WASHER CAP
14	85513.DS	THRUST WASHER
15	022.7215	1/2"-13 FLANGE NUT
16	022.3004-20	3/8"-16 X 1.25" FLANGED HEX HEAD SCREW
17	022.3008-80	1/2"-13 X 5" FLANGED HEX HEAD SCREW
18	83900-DS	SHIFT CYLINDER

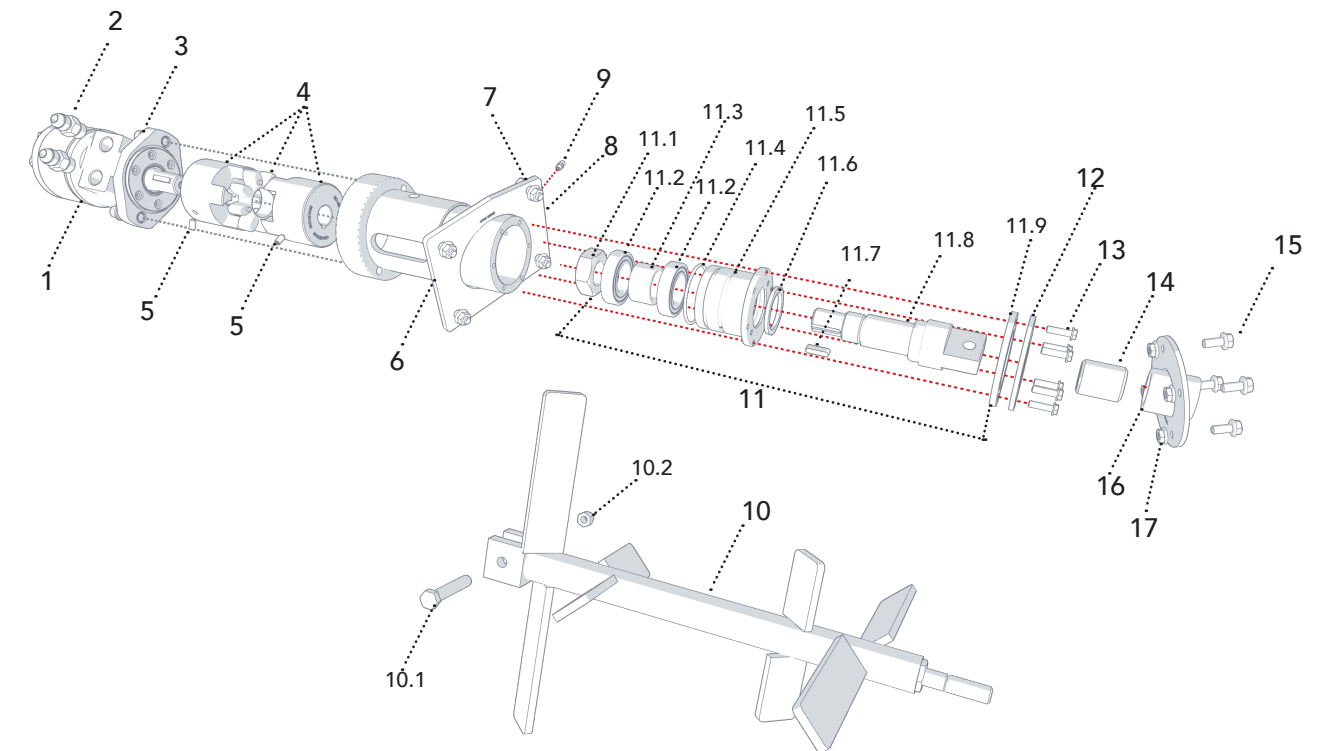


Outlet Components		
LINE	PART NUMBER	DESCRIPTION
1	85150	OUTLET FLANGE
2	022.3010-52	5/8"-11 X 3.25" FLANGED HEX HEAD SCREW
3	85166.04	3/8"-24 GREASE FITTING
4	85181-PM	OUTLET BEARING HOUSING SEAL KIT
4.1	025.1264	-264 O-RING
4.2	025.1260	-260 O-RING
4.3	85174-PM	LOADED LIP SEAL
4.4	025.1366	-366 O-RING
4.5	85180.01	1 1/4" GUIDE BAND
5	85180	OUTLET BEARING HOUSING
6	85182	OUTLET BEARING LOCKING BRACKET
7	85320	CHROME OUTLET
8	022.2004-28	3/8"-16 X 1.75 HEX HEAD SCREW
9	022.8207	3/8" LOCK WASHER
10	022.7011	3/8" HEX NUT
11	022.3010-48	5/8"-11 X 3" FLANGED HEX HEAD SCREW
12	022.7217	5/8"-11 FLANGE NUT



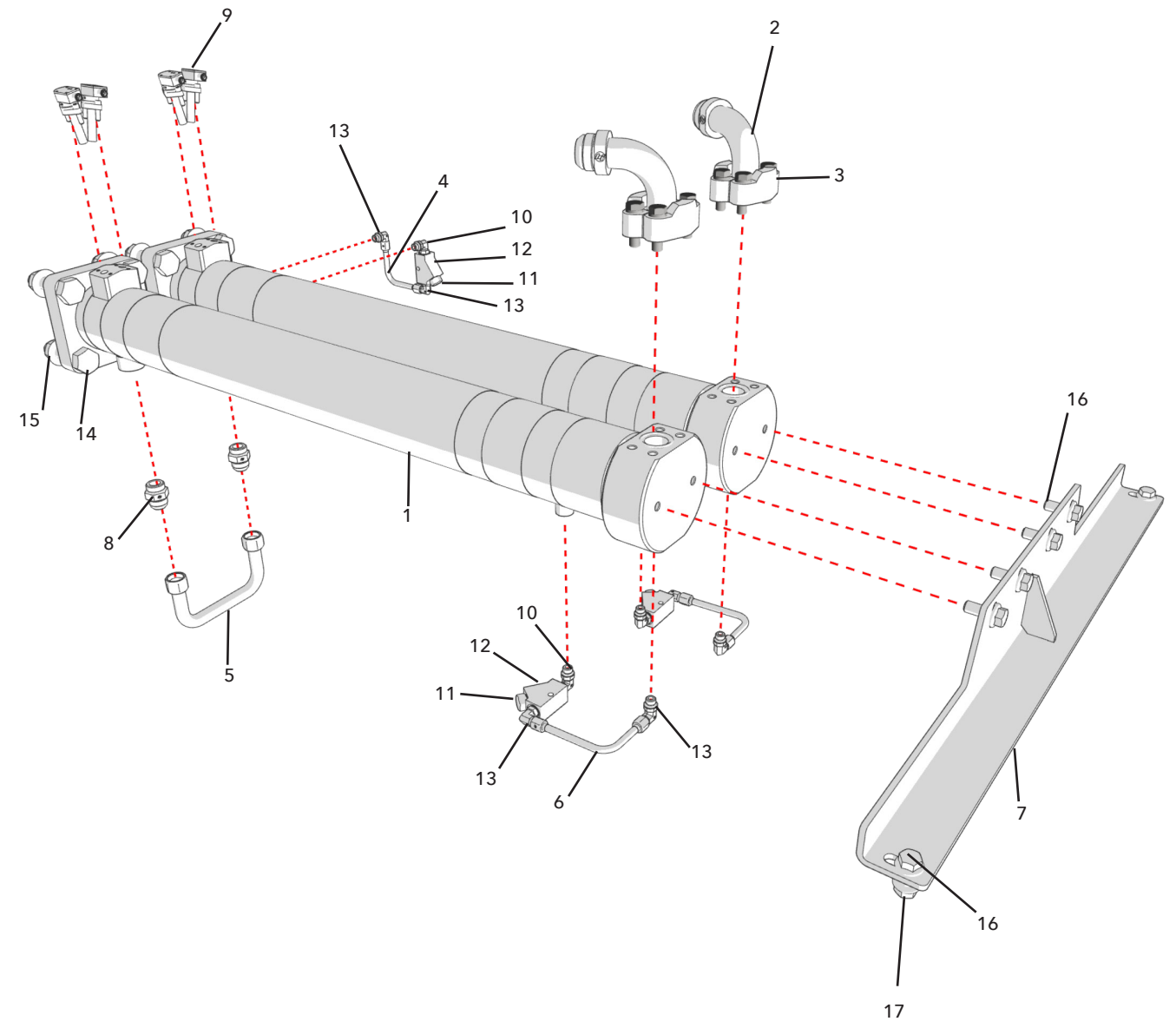
FLATPACK

85200 Remixer Assembly		
LINE	PART NUMBER	DESCRIPTION
1	85250	REMIXER MOTOR
2	83763	FITTING, 8MOR - 8MJ
3	022.3208-24	1/2"-13 X 1.5" SCREW, 12-POINT
4	85203-XH	GUARDIAN COUPLING WITH INSERT
5	022.6007-12	SET SCREW, 1/4"-20 X 3/4"
6	85202F	REMIXER HOUSING WELDMENT
7	022.3004-16	3/8"-16 X 1" FLANGED HEX HEAD CAP SCREW
8	022.7211	3/8"-16 FLANGED HEX NUT
9	026.1002	GREASE ZERK, 1/4"-28 STRAIGHT
10	85230	PADDLESHAFT SUBASSEMBLY
10.1	022.3108-40	1/2"-13 X 2.5" SERRATED-FLANGE HEX HEAD CAP SCREW
10.2	022.7215	1/2"-13 FLANGE NUT
11	85210	CARTRIDGE SUBASSEMBLY
11.1	022.7025-B	1.25"-12 HEX HALF NUT
11.2	85217	BEARING
11.3	85216	SPACER
11.4	025.1145	-145 O-RING
11.5	85211	ALUMINUM CARTRIDGE
11.6	85213	LOADED OUTER LIP SEAL
11.7	85222	1/4" X 1" KEY
11.8	85212	REMIXER SHAFT
11.9	85207	REMIXER OUTER SEAL
12	85208	RETAINER SEAL
13	022.2101-16	1/4"-28 X 1" HEX HEAD CAP SCREW
14	85233	IDLER BEARING
15	022.3002-12	5/16"-18 X 3/4" FLANGED HEX HEAD CAP SCREW
16	022.7209	5/16"-18 FLANGED HEX NUT
17	85112F	IDLER BEARING HOUSING



FLATPACK

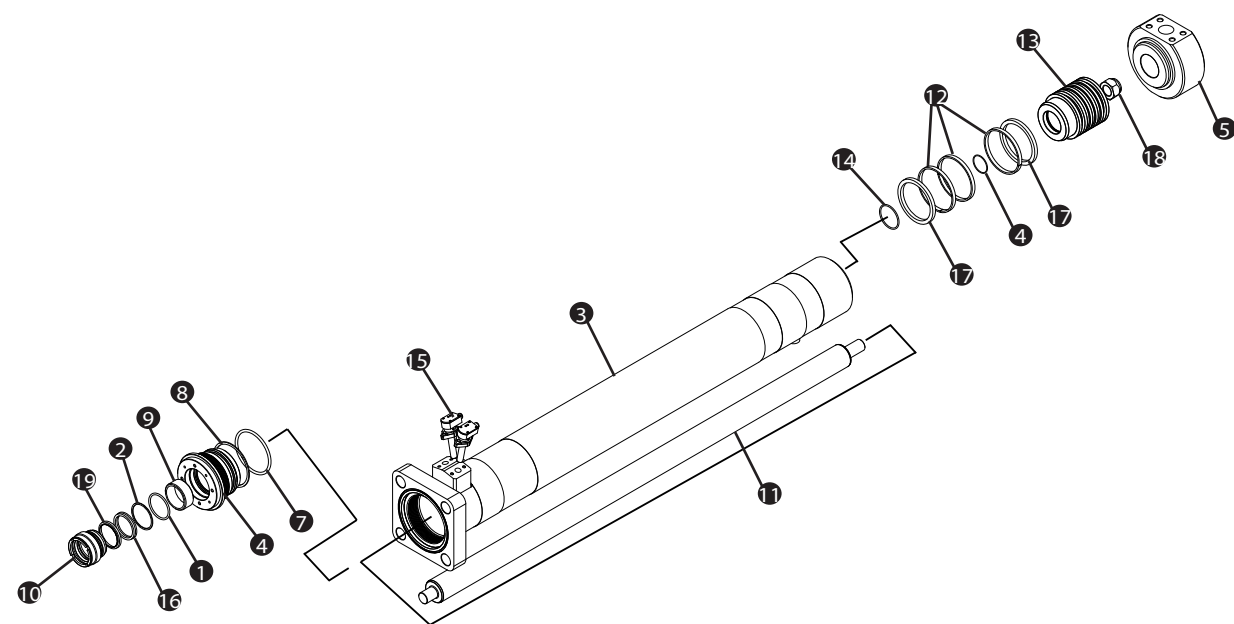
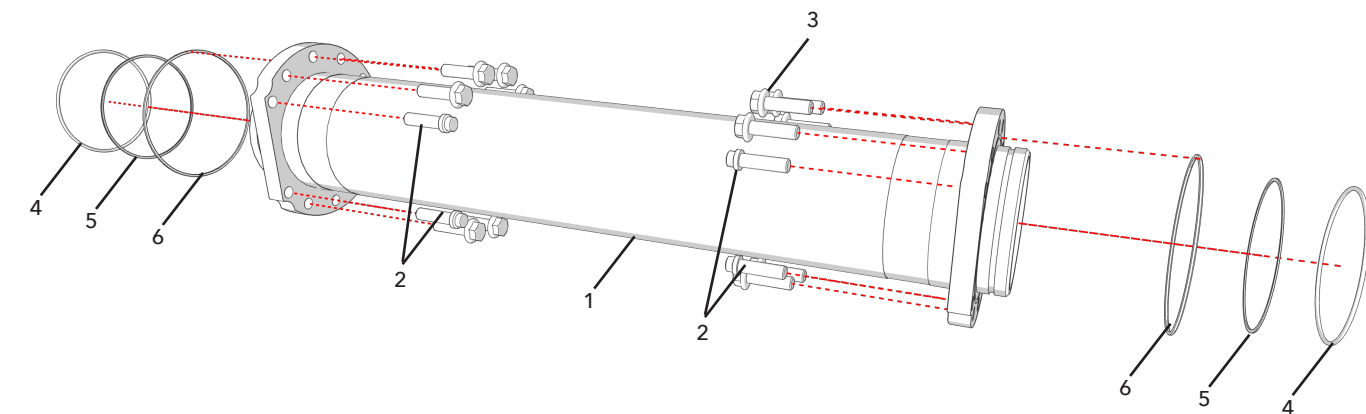
83200A / 83250A		
Hydraulic Cylinder Components		
LINE	PART NUMBER	DESCRIPTION
1	83200 83250	HYDRAULIC CYLINDER (X500 MODEL) HYDRAULIC CYLINDER (500, 600 MODELS)
2	83831.06	ADAPTER, 1.25" FLANGE
3	83757	1.25" 6K SPLIT-FLANGE KIT
4	83833	REAR HYDRAULIC LINE
5	83822	CYLINDER CROSSOVER LINE
6	83801.03	FRONT HYDRAULIC LINE
7	51015F	FRONT CROSSMEMBER
8	83730	FITTING, 16MJ X 16MOR, STRAIGHT
9	84275	PROXIMITY SENSOR
10	83792.02	90° ADAPTER , MOR-06 X MOR-06
11	83791	CHECK VALVE
12	83792	CHECK VALVE BODY
13	83735	90° ADAPTER, 06-MJIC X 06-MOR
14	022.2016-64	1"-14 X 4" HEX HEAD SCREW
15	022.7223	1"-14 FLANGE NUT
16	022.3008-20	1/2-13" X 1.25" FLANGED HEX HEAD SCREW
17	022.7215	1/2"-13 FLANGE NUT

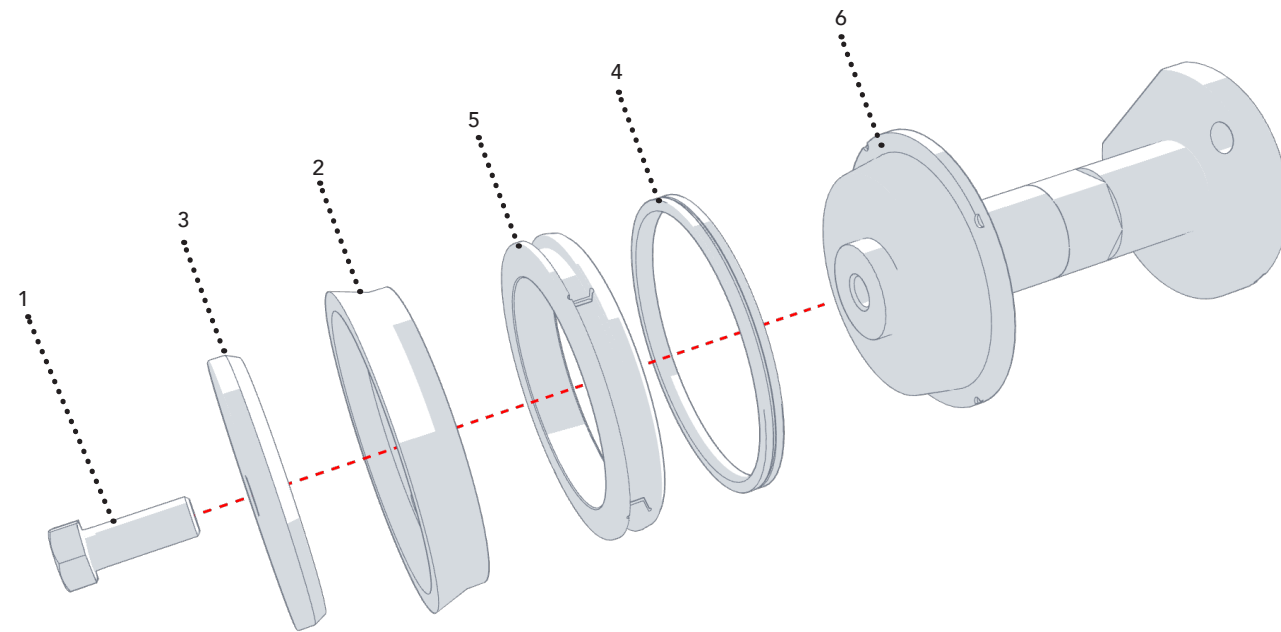


FLATPACK

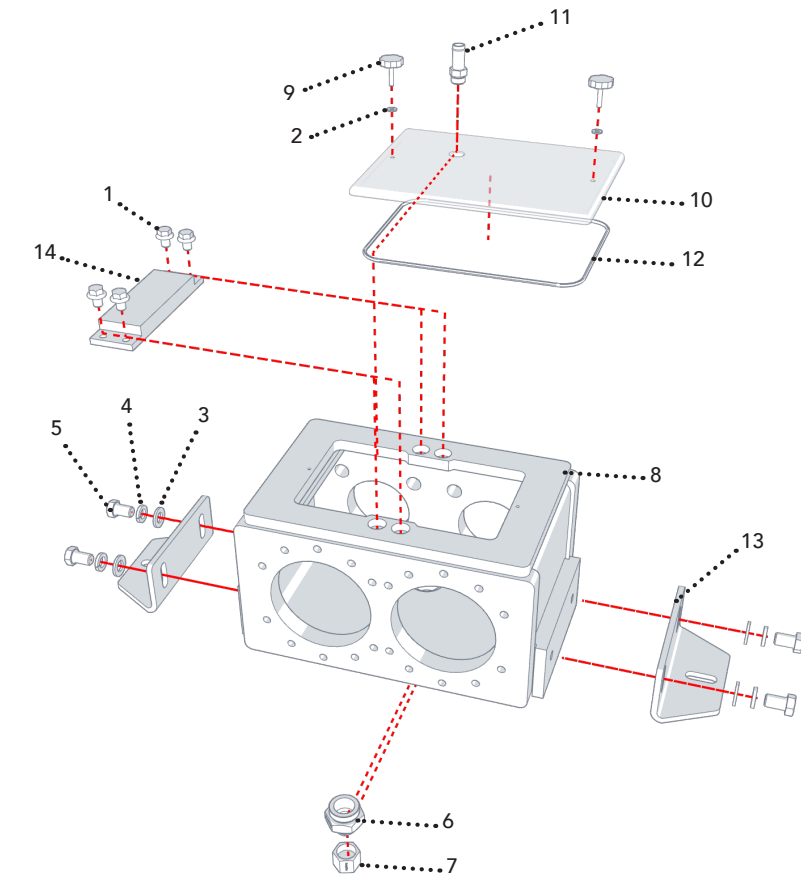
83200 Hydraulic Cylinder Assembly		
LINE	PART NUMBER	DESCRIPTION
1	025.1227	-227 BUNA O-RING
2	025.2227	-227 BACKUP O-RING
3	83201	4" HYDRAULIC CYLINDER
4	83204	GLAND HOUSING
5	83207	4" CYLINDER HEAD
6	83214	-229 BUNA O-RING
7	83215	-342 BUNA O-RING
8	83216	-342 BACKUP RING
9	83217	OIL IMPREGNATED BUSHING
10	83219	2" GLAND BUSHING
11	83232	2" ROD
12	83279	WEAR RING 4" X .312" X .125"
13	83280	4" HYDRAULIC CYLINDER PISTON AND TARGET RING
14	025.1136	-136 O-RING
15	84275	PROXIMITY SENSOR
16	D300	D300 ROD SEAL, 2" ROD
17	HDP-330	HDP-330 PISTON SEAL
18	85524	1" - 14 JAM NUT
19	83222	WIPER WITH BRASS METAL SCRAPER

85400A Material Cylinder Assembly		
LINE	PART NUMBER	DESCRIPTION
1	85401	MATERIAL CYLINDER
2	022.3210-36	5/8"-11 X 2.25" 12-POINT SCREW
3	022.3010-36	5/8"-11 x 2.25" FLANGED HEX HEAD SCREW
4	025.1259	-259 O-RING
5	025.2259	-259 BACKUP O-RING
6	025.2264	-264 O-RING





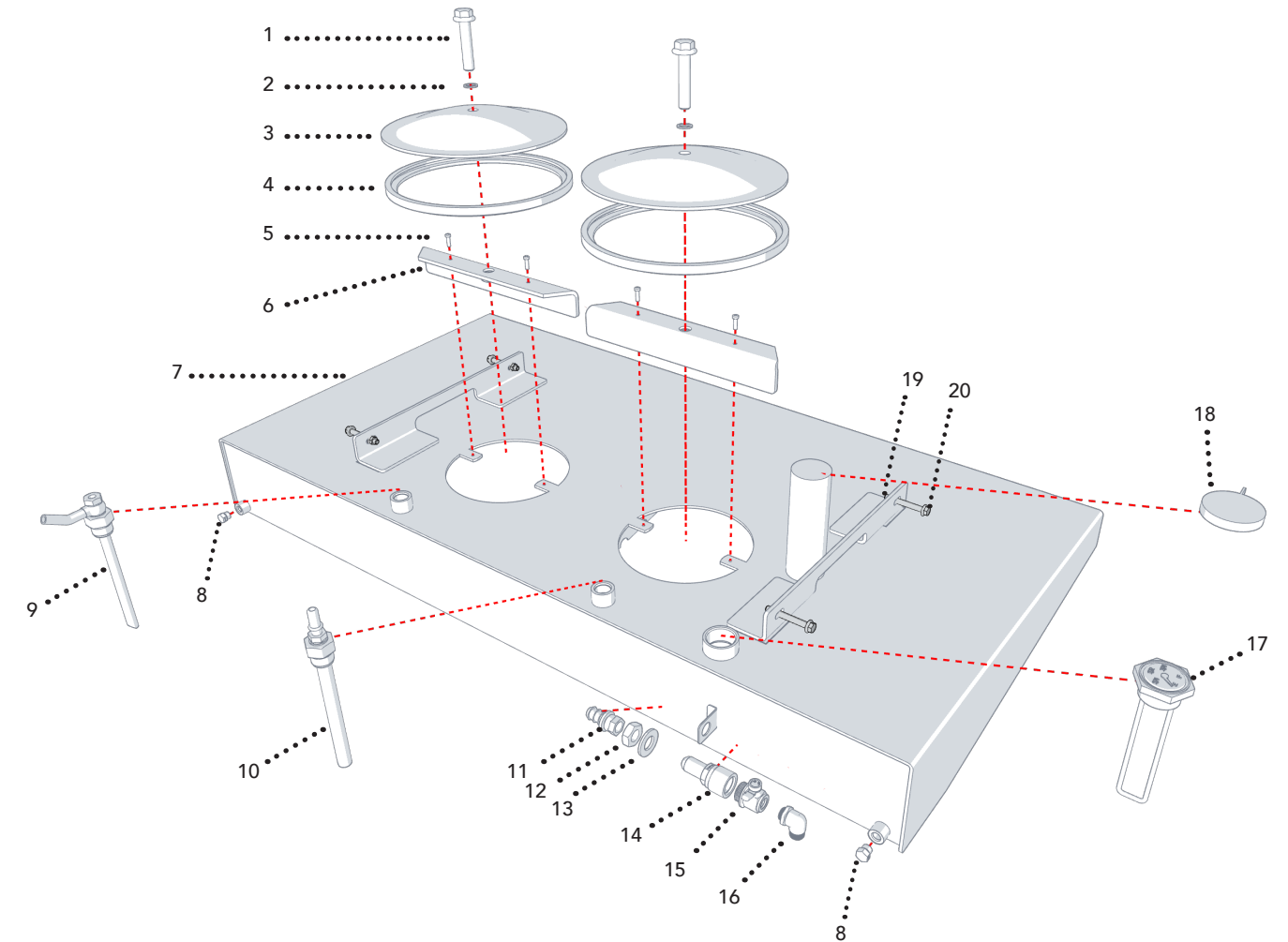
85773A Cup Adapter Components		
LINE	PART NUMBER	DESCRIPTION
1	022.2012-32	3/4" - 10 UNC X 2" HEX HEAD CAP SCREW
2	85704	PISTON CUP
3	85754	CUP RETAINER WASHER
4	85770	URETHANE SEAL
5	85771	SEAL RETAINER
6	85773	CUP ADAPTER WELDMENT

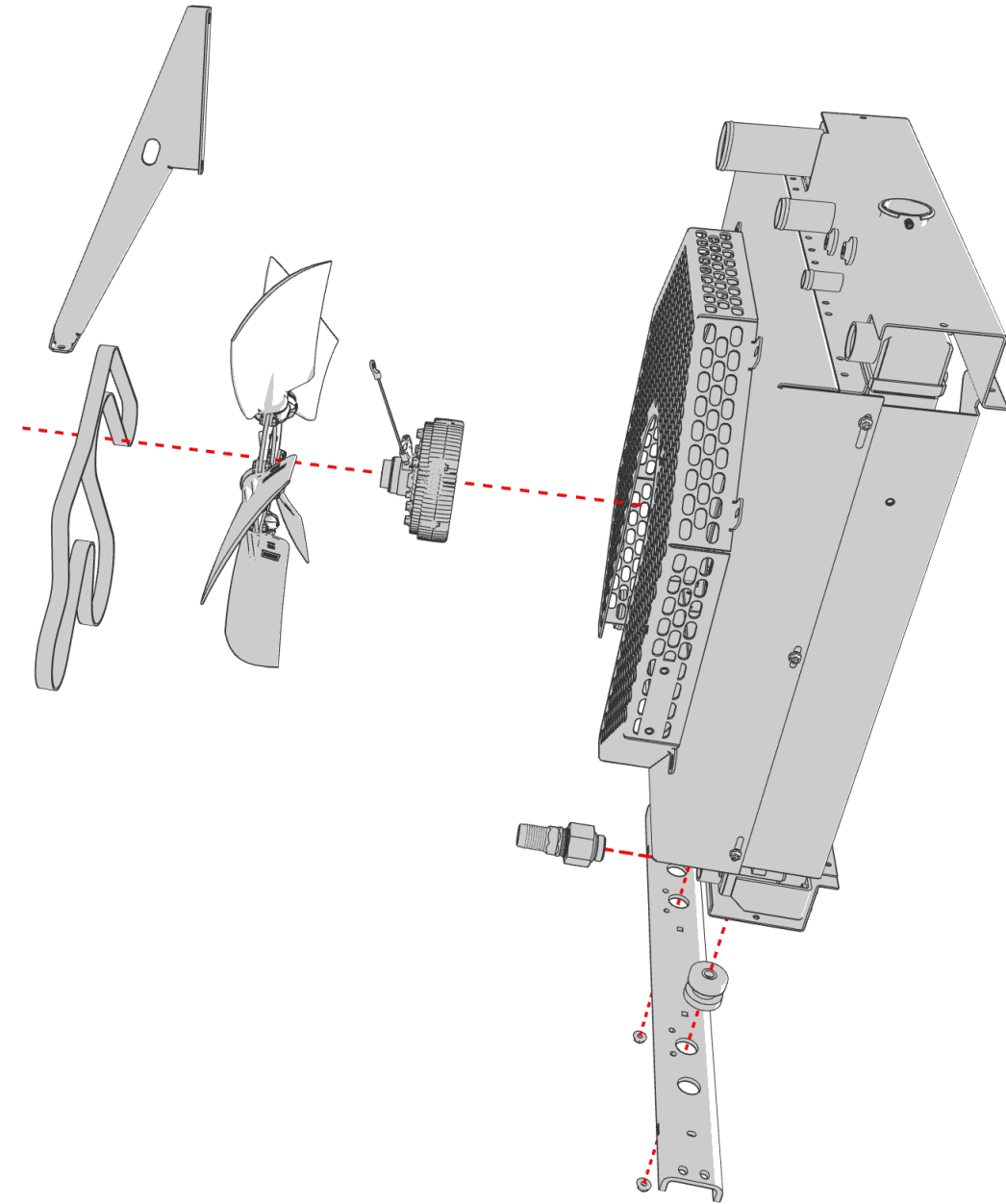
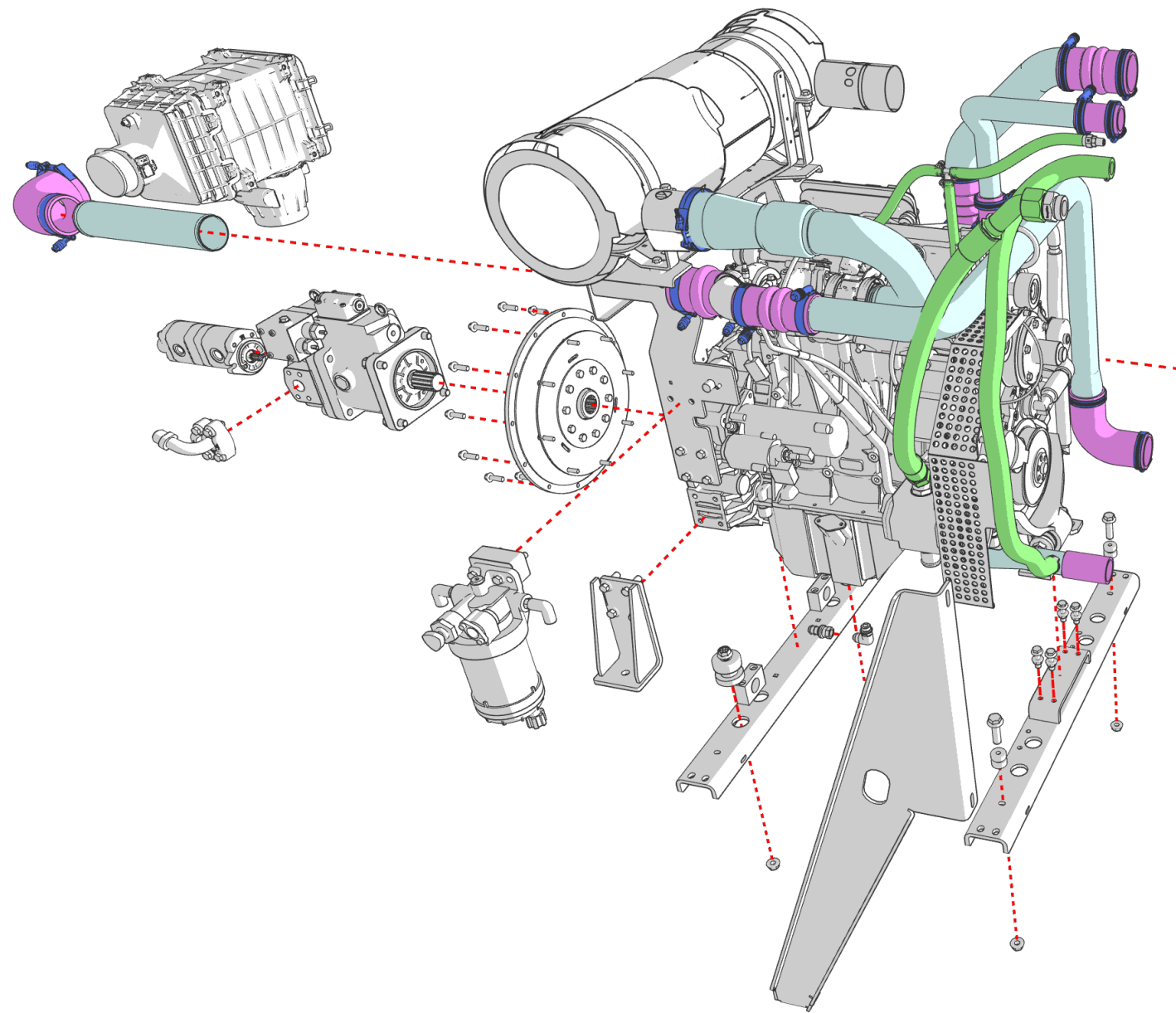


85600A Water Box Parts List			
LINE	QTY	PART NUMBER	DESCRIPTION
1	4	022.3008-10	1/2"-13 X .625" FLANGED HEX SCREW
2	2	022.8005	1/4" PLAIN WASHER
3	4	022.8011	3/4" NARROW WASHER
4	4	022.8211	3/4" LOCK WASHER
5	4	022.3012-20	3/4"-10 X 1.25" HEX HEAD SCREW
6	1	83620.04	FITTING, 16 MJ - 24 MOR UNION
7	1	83620.04.1	16MJ PIPE CAP
8	1	85600F	WATER BOX
9	2	85613	THUMB SCREW
10	1	85614	WATER BOX COVER WINDOW
11	1	85614.04	ADAPTER, 12 HOSE-10MOR
12	1	85615	COVER WINDOW SEAL
13	2	85617	WATERBOX ANGLE MOUNTING BRACKET
14	1	85630	SUPPORT CROSSBAR

FUEL TANK

52200A Fuel Tank Components		
LINE	PART NUMBER	DESCRIPTION
1	022.3010-48	5/8"-11 X 3" FLANGED HEX HEAD CAP SCREW
2	83604.1	CRUSH WASHER, 5/8" ID
3	83604	12" TANK CLEANOUT COVER KIT WITH CRUSH WASHER AND GASKET
4	83605	GASKET FOR CLEANOUT COVER
5	022.5103-12	10-24 X .75" LENGTH PHILLIPS SCREW
6	83600.1	ANGLE BRACKET FOR ACCESS COVER, INCLUDES WELD NUT AND PEMSERTS
7	52200F	FUEL TANK SHEETMETAL WELDMENT
8	52210	#6 SAE HEX PLUG
9	52206	RETURN LINE ASSEMBLY
10	52207	SUCTION LINE ASSEMBLY
11	85614.02	10 FJX- 12 BARB FITTING
12	022.7021-B	7/8" HEX JAM NUT
13	022.8112	7/8" PLAIN WASHER
14	53610.04	OIL DRAIN VALVE ADAPTER
15	53610.01	EZ DRAIN VALVE
16	53610.02	90° ADAPTER
17	52205	FUEL TANK GAUGE
18	82257.02	DIESEL FILLER CAP
19	022.7311	3/8"-16 SERRATED FLANGE HEX NUT
20	022.3004-44	3/8"-16 X 2.75" FLANGED HEX HEAD CAP SCREW

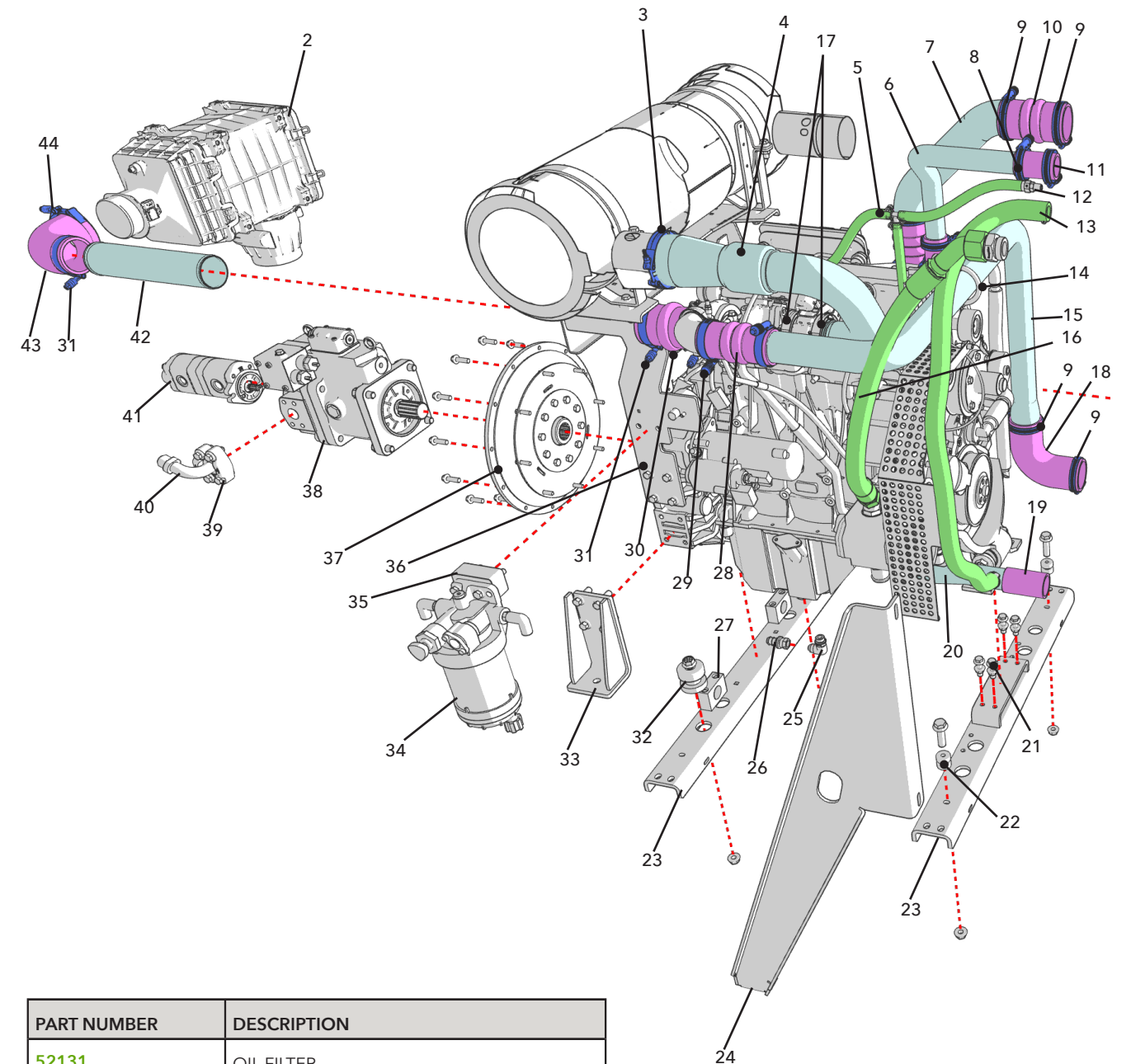




ENGINE AND RADIATOR

52100A 3.8 Cummins Stage V Engine Components		
LINE	PART NUMBER	DESCRIPTION
1	52101	ENGINE GROUP
2	AK55699	AIR FILTER HOUSING
2.1	52133	PRIMARY AIR FILTER
2.2	52134	SECONDARY AIR FILTER
3	82020.15	4" V-BAND CLAMP
4	52124	TURBO OUTLET PIPE
5	#####	
6	52113	PIPE, ENGINE OUT/RAD IN
7	52114	PIPE, CAC OUT/ENGINE IN
8	023.8128-10	CONSTANT TENSION CLAMP
9	023.8130-10	CONSTANT TENSION CLAMP
10	82081.23	3" SILICONE CONNECTOR
11	52113.01	HOSE, ENGINE OUT/RAD IN
12	82259.08	FITTING, 6FJX BARB TO 6 JIC
13	#####	
14	52111.02	U-BOLT
15	52111	PIPE, TURBO OUT/CAC IN
16	53905	HOSE, OC PUMP OUT X OC IN
17	82080.05	V-BAND CLAMP
18	52135	3" CAC RUBBER ELBOW
19	52112.01	HOSE, RAD OUT, ENGINE IN
20	52112	PIPE, RAD OUT, ENGINE IN
21	022.3025-45	M12-1.75 x 45 FLANGE SCREW
22	82071.10	RUBBER ISOLATOR
23	52102	ENGINE CROSSMEMBER
24	82081.22	RH SIDE RADIATOR SUPPORT
25	82089.04	FITTING, 10MJ X 18MM
26	85614.02	FITTING, 10FJX X 12 BARB
27	83836.04	TUBE CLAMP
28	52120	2.5" SILICONE CONNECTOR
29	023.8129-10	CONSTANT TENSION CLAMP
30	52118	3" X 3" STRAIGHT CONNECTOR
31	52138	CONSTANT TENSION CLAMP

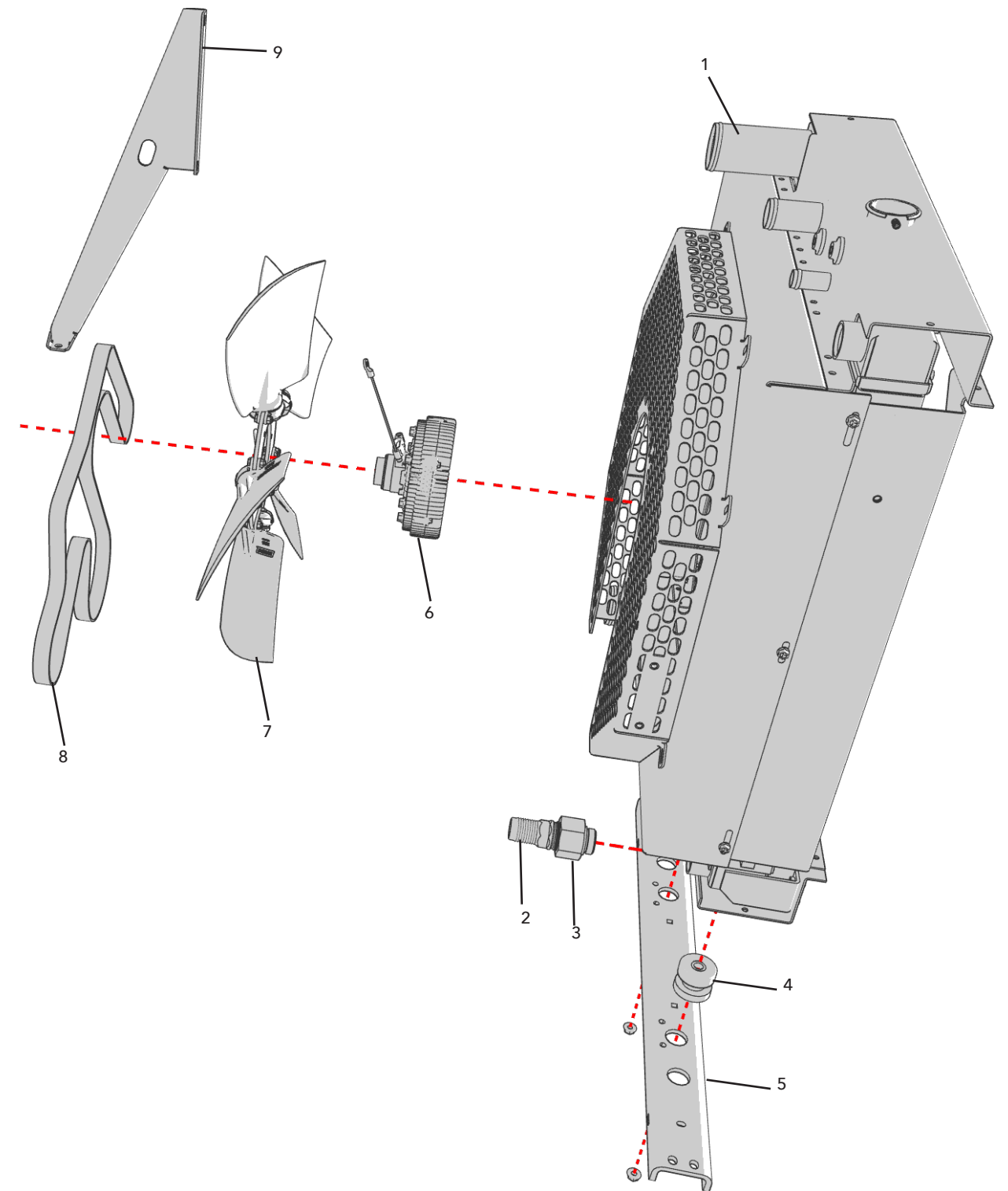
52100A 3.8 Cummins Stage V Engine Components		
LINE	PART NUMBER	DESCRIPTION
32	82080.02.1	RUBBER ISOLATOR
33	52109	REAR MOTOR MOUNT
34	82020.48	FUEL/WATER SEPARATOR
35	82080.04.05	ALUMINUM SPACER
36	52110	SCR CANNISTER MOUNT
37	83702-GXH	ENGINE TO PUMP COUPLER
38	83120-KAW	HYDRAULIC PUMP ,112CC
39	83757	1.25" SPLIT FLANGE KIT
40	83756	JIC TO FLANGE ELBOW
41	83701-P	TANDEM GEAR PUMP
42	52116	PIPE, ENGINE TO AIR CLEANER
43	52125	4" X 3" RUBBER ELBOW
44	82084.05.2	CONSTANT TENSION CLAMP



PART NUMBER	DESCRIPTION
52131	OIL FILTER
52132	FUEL FILTER
52133	PRIMARY AIR FILTER
52134	SECONDARY AIR FILTER
82020.48	FUEL/WATER SEPARATOR

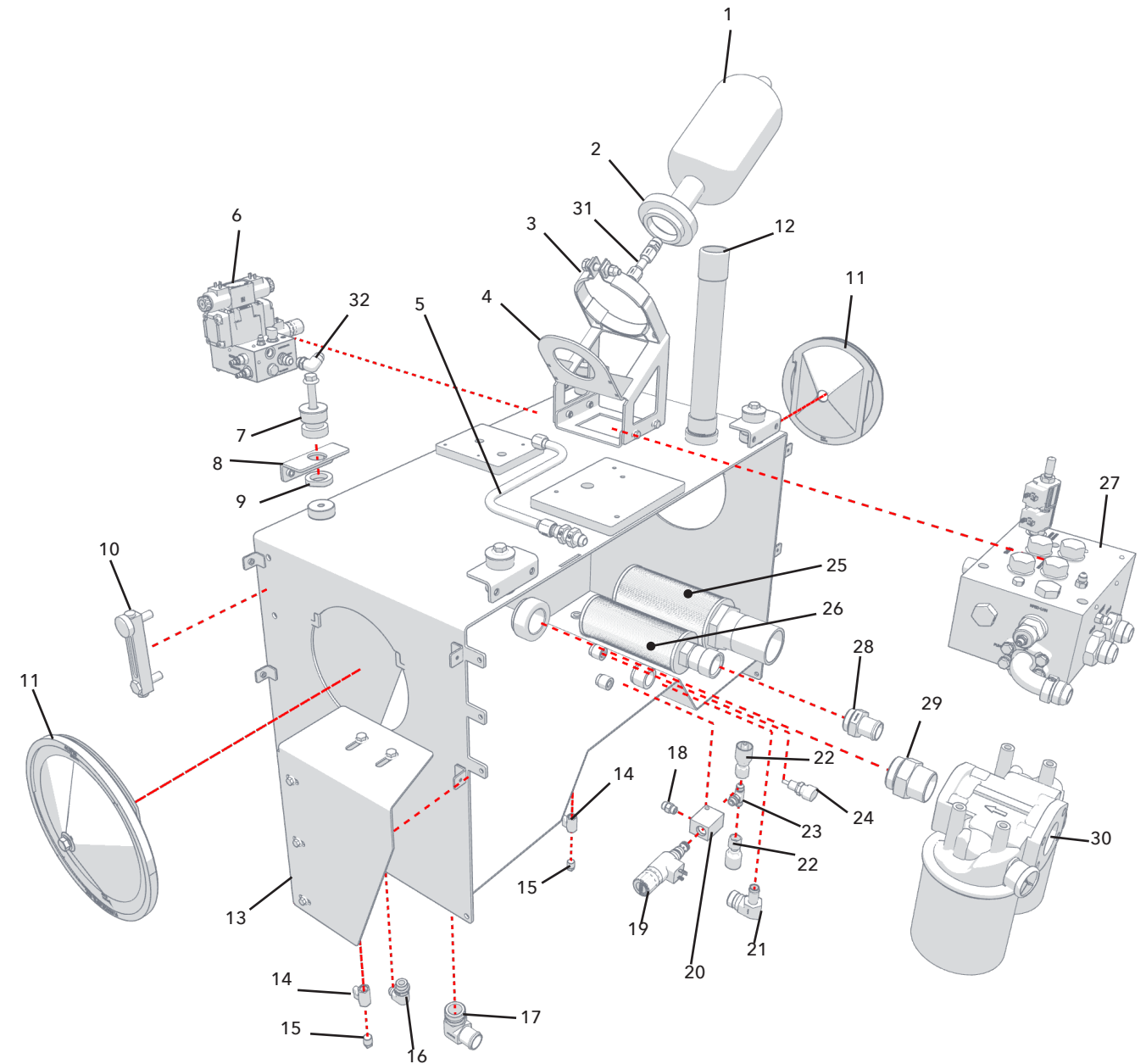
ENGINE AND RADIATOR

52100A		
3.8 Cummins Stage V Engine Components		
LINE	PART NUMBER	DESCRIPTION
1	52081	RADIATOR
2	82021.05	FITTING, 1.5" MP X 1.5" BARB
3	82021.04	ADAPTER, 20MOR X 24FP
4	82080.02.1	RUBBER ISOLATOR
5	52102	ENGINE CROSSMEMBER
6	52130.02	CLUTCH
7	52130.01	FAN
8	52119	SERPENTINE BELT
9	82081.21	LH SIDE RADIATOR SUPPORT BRACKET

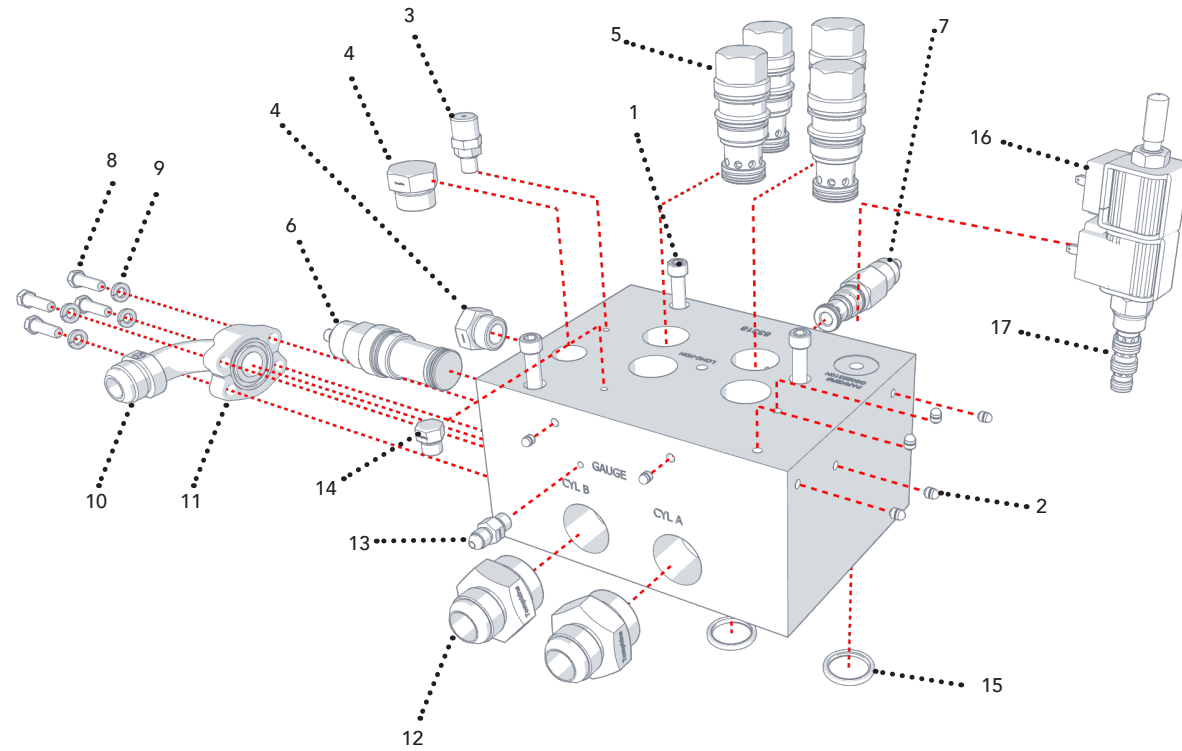


HYDRAULIC TANK

53600A		
Hydraulic Tank Components		
LINE	PART NUMBER	DESCRIPTION
1	83520-H	ACCUMULATOR
2	83615	ACCUMULATOR SADDLE
3	83521	ACCUMULATOR CLAMP
4	53645	ACCUMULATOR MOUNT
5	53805	CONTROL BLOCK TO BULKHEAD LINE
6	83400	CONTROL BLOCK ASSEMBLY
7	86510.01V	RUBBER ISOLATOR
8	56110	ISOLATOR MOUNTING BRACKING
9	86510.02	ISOLATOR SPACER
10	83612	LIQUID LEVEL TEMPERATURE GAUGE
11	53613	CLEANOUT COVER ASSEMBLY WITH GASKET
12	83660F	SCREW-IN FILL NECK
13	83647.03	RETURN FILTER SUPPORT BRACKET
14	83662.02	1/2" MINI BALL VALVE
15	82422	OIL DRAIN PLUG
16	83318.01	90° FITTING, 10JIC - 12 MOR
17	83132	90° FITTING, 24 HOSE - 24 MOR
18	83792.01	STRAIGHT FITTING, 06 MOR - 06 MOR
19	83406-SUN	2-WAY VALVE
20	83407.03	DUMP VALVE BODY
21	83858.02	FITTING, 12 HOSE- 16MOR 90°
22	10643-8-8	CRIMP STYLE HYDRAULIC HOSE FITTING
23	83407.04	TEE, 06 - 06 - 06 (6803-06-06-06)
24	54102	OIL TEMPERATURE SENSOR
25	83704	CONVOLUTED STRAINER
26	83705	SUCTION STRAINER
27	83300S	CYCLE BLOCK ASSEMBLY
28	83132.01	FITTING, 24 HOSE - 24 MOR
29	83647.04	FITTING, 24MP X 24 MOR
30	83647	FILTER HOUSING (INCLUDES 83647.01 FILTER)
31	53806	ACCUMULATOR TO CONTROL BLOCK LINE
32	83725	90° FITTING, 10 MOR - 10 MJ



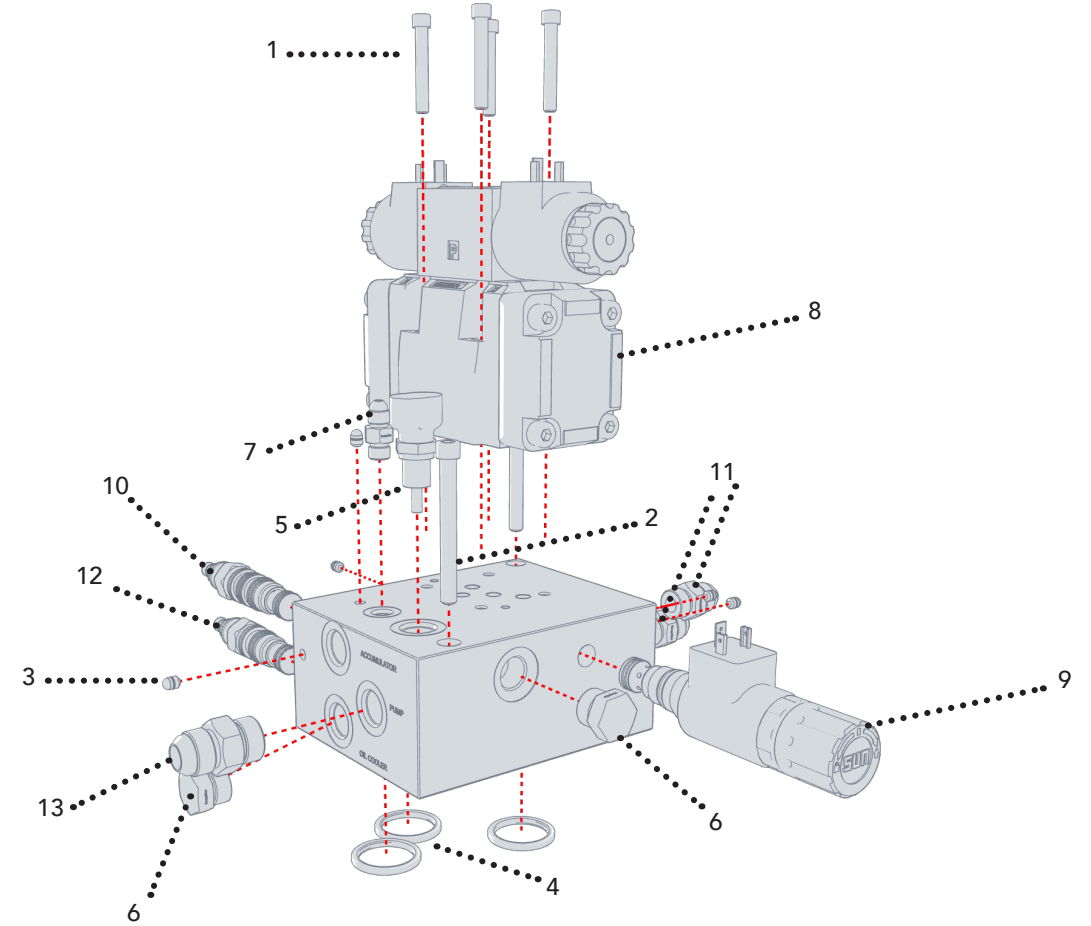
CYCLE BLOCK



833005 Cycle Block Assembly

LINE	PART NUMBER	DESCRIPTION
1	022.1004-72	3/8-16 X 4.5" SOCKET HEAD CAP SCREW
2	023.4101	PNEUMATIC PRESS PLUG
3	83874	TPO-04 TEST POINT TO 04 O-RING FITTING
4	83318.02	12-MOR HEX PLUG
5	83304	SUN LOGIC CARTRIDGE LOGC-XDN
6	83311	SUN FLOW CONTROL NFED-LHN
7	83316.P	SUN PROPORTIONAL RELIEF VALVE
8	022.2004-20	3/8" -16 X 1.25" HEX HEAD CAP SCREW
9	022.8207	3/8" LOCK WASHER
10	83752	90° FLANGE, 16 SIZE
11	83318.06	1" 3K SPLIT FLANGE KIT
12	83318.14	20MOR X 16MJ FITTING
13	83107	JIC-04 X MOR-04 FITTING
14	83318.12	SAE-4 HEX PLUG
15	025.1219-1B	-219 BUNA 90 X-PROFILE O-RING
16	83413.1	PARKER 5K COIL
17	83413	DIRECTIONAL VALVE CARTRIDGE

CONTROL BLOCK

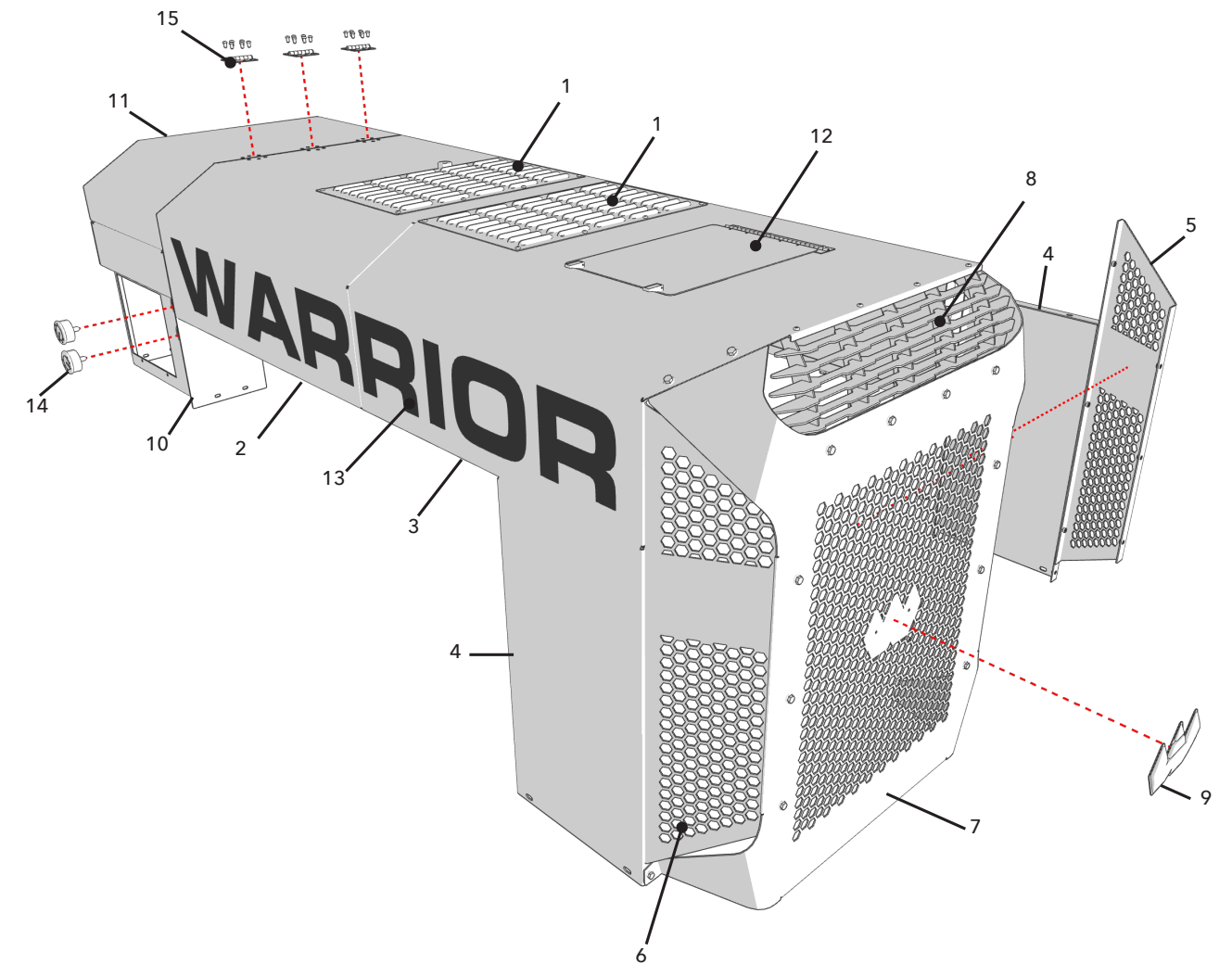


83400 Control Block

LINE	PART NUMBER	QTY	DESCRIPTION
1	022.1001-28	4	1/4"-20 X 1.75" SOCKET HEAD CAP SCREW
2	022.1002-48	2	5/15" - 18 X 3" SOCK HEAD CAP SCREW
3	023.4101	5	.250" PNEUMATIC PLUG
4	025.1219-1B	3	-219 BUNA 90 X-PROFILE O-RING
5	84261.1	1	OVERTEMPERATURE SENSOR
6	82263	2	FITTING 8MOR HEX HEAD PLUG
7	83107	1	FITTING 04MJ X 04MOR
8	83402	1	REXROTH DIRECTIONAL VALVE W/PILOT
9	83406-SUN	4	DUMP VALVE
10	83410	1	SUN CARTRIDGE VALVE, QCDB-LAN
11	83412.02	2	8MOR-8MJ FITTING
12	83414	1	SUN CARTRIDGE VALVE RVCA-LAN
13	83726	2	FITTING, 10MJ X 8MOR

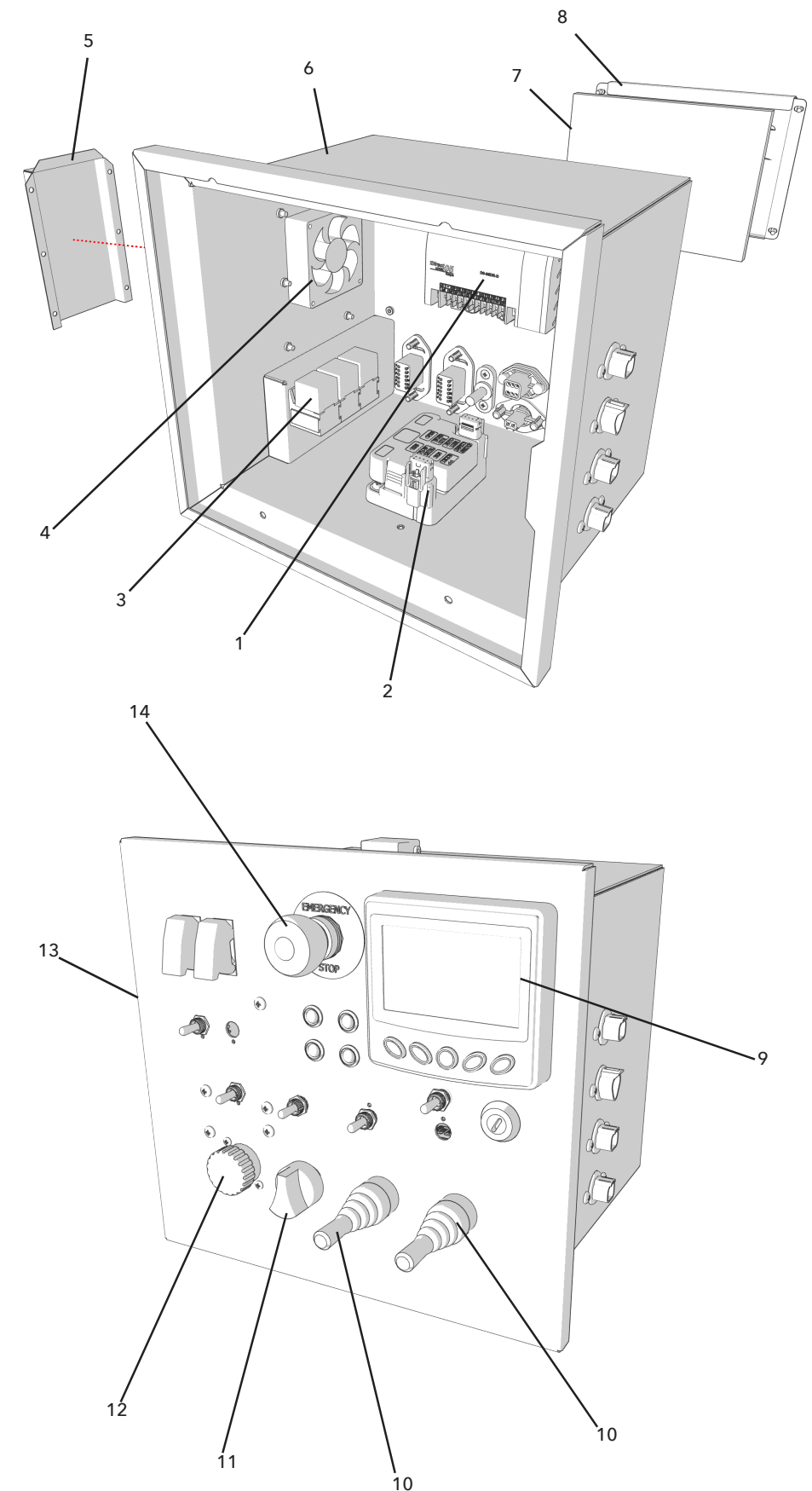
BODY

56100A 500/600/X500 Sheetmetal		
LINE	PART NUMBER	DESCRIPTION
1	56101.01	ENGINE COVER TOP LOUVER
2	56102	ENGINE COVER REAR HALF
3	56103	ENGINE COVER FRONT HALF
4	56111	LEFT/RIGHT SIDE PANEL
5	56112-L	FRONT LH VENT SHROUD (NOT SHOWN)
6	56112-R	FRONT RH VENT SHROUD
7	56113	FRONT BODY PANEL
8	56114	GRILLE
9	87063	W EMBLEM DECAL
10	56117	HYDRAULIC TANK COVER
11	56115	42" HYDRAULIC TANK COVER LID
12	86710	TOP RADIATOR ACCESS DOOR
13	87023	WARRIOR DECAL
14	83706.6K	6,000 PSI HYDRAULIC GAUGE
15	56101.04	LID HINGE



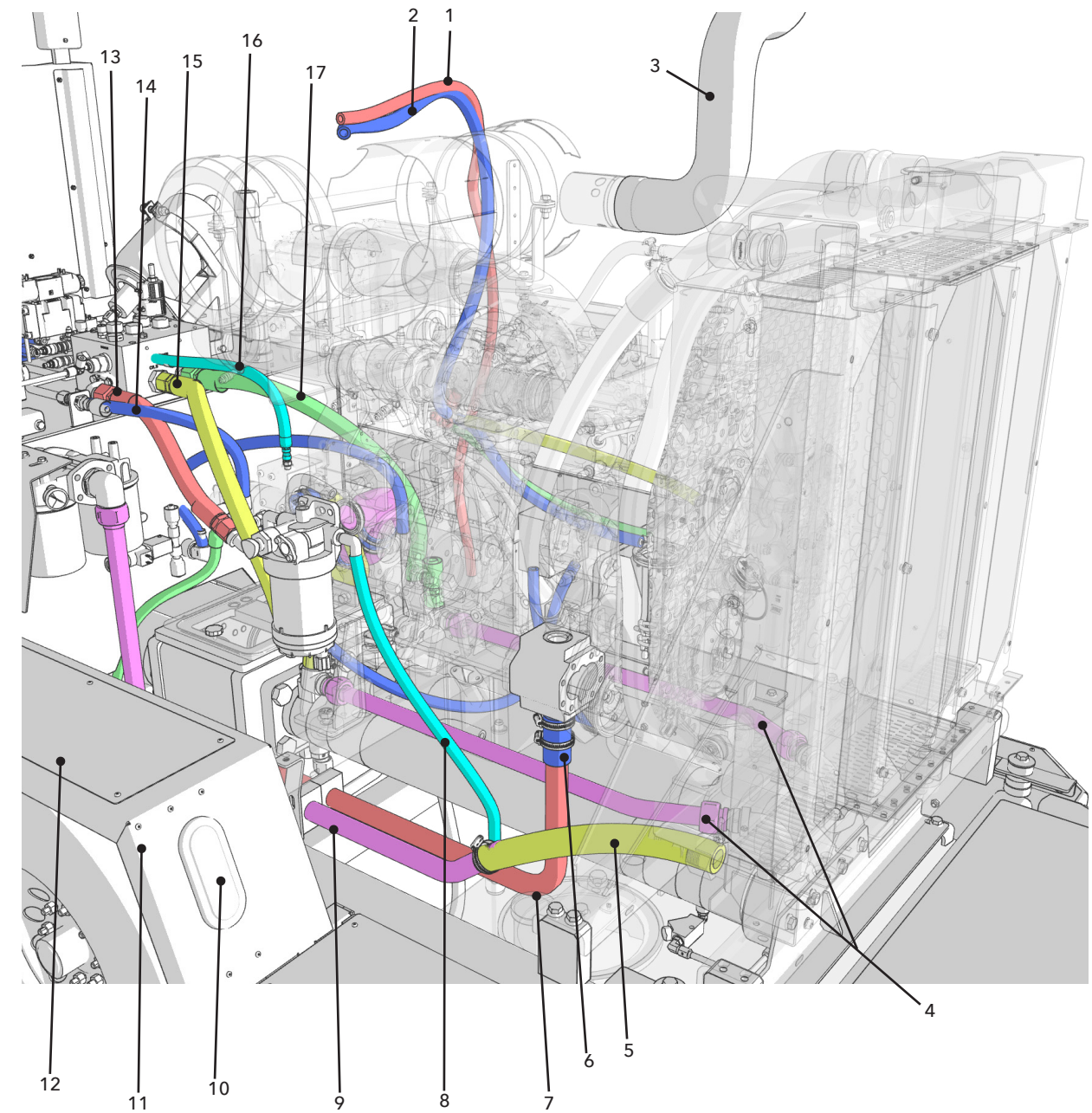
CONTROL BOX

86400 PLC Enclosure		
LINE	PART NUMBER	DESCRIPTION
1	84201.MK2	DL-05 PLC CONTROLLER
2	84239	FUSE HOLDER
3	84149	RELAY
4	84207	PLC FAN
5	84216	FAN COVER
6	84279-S5	PLC ENCLOSURE BODY
7	86307.2	AIR FILTER
8	86312.T4F	AIR FILTER COVER
9	84240-380	POWerview 380 TACHOMETER
10	84157	THROTTLE TOGGLE SWITCH, MAINTAINED
11	84142	IGNITION SWITCH
12	84240.36	DIAGNOSTIC PLUGIN PORT
13	84279.02-S5	CONTROL PANEL, MKII PLC BOX
14	84150	EMERGENCY SHUT OFF SWITCH



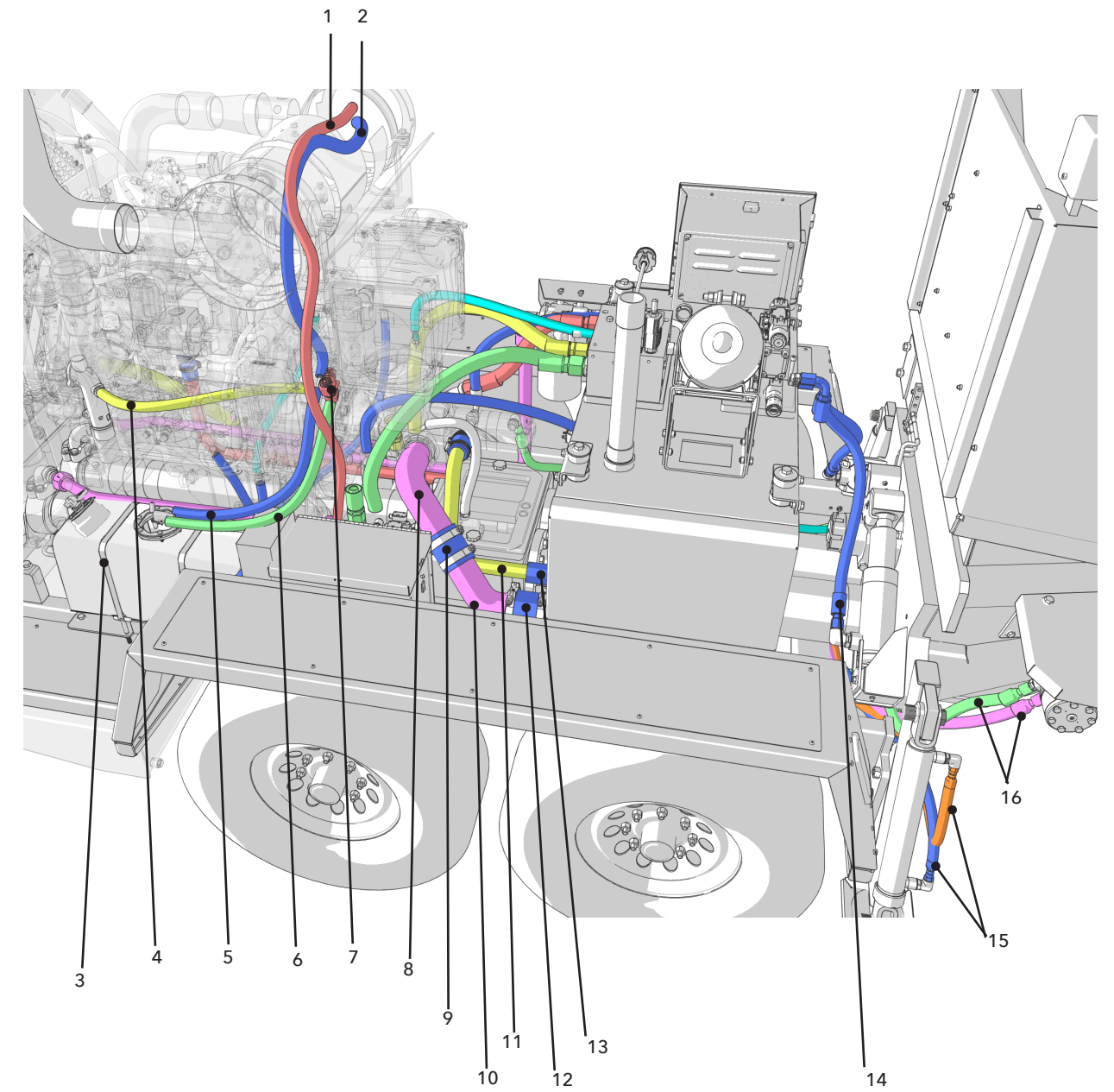
TUBES AND LINES

Tubes and Lines			
LINE	PART NUMBER	COLOR	DESCRIPTION
1	-	RED	SCR CANNISTER HOSE 01
2	-	BLUE	SCR CANNISTER HOSE 02
3	52127	N/A	EXHAUST PIPE
4	53807	PINK	CYLINDER PRESSURE LINE
5	53801.01	YELLOW	HYDRAULIC RETURN LINE CONNECTING HOSE
6	53802.01	BLUE	HYDRAULIC SUCTION LINE CONNECTING HOSE
7	53802	RED	OIL COOLER SUCTION LINE
8	-	CYAN	HOSE, FUEL TANK TO FUEL FILTER
9	53801	PINK	HYDRAULIC RETURN LINE
10	84268.02	N/A	AMBER LIGHT
11	81040	N/A	FENDER
12	81040.01	N/A	FENDER TREAD LPLATE
13	53902	RED	P1 CYCLE BLOCK HOSE
14	53903	BLUE	P2/3 CONTROL BLOCK HOSE
15	83869	YELLOW	CYCLE BLOCK CYL B HOSE
16		CYAN	CYCLE BLOCK HOSE ABOVE CYL B
17	-	GREEN	CYCLE BLOCK CYL A HOSE



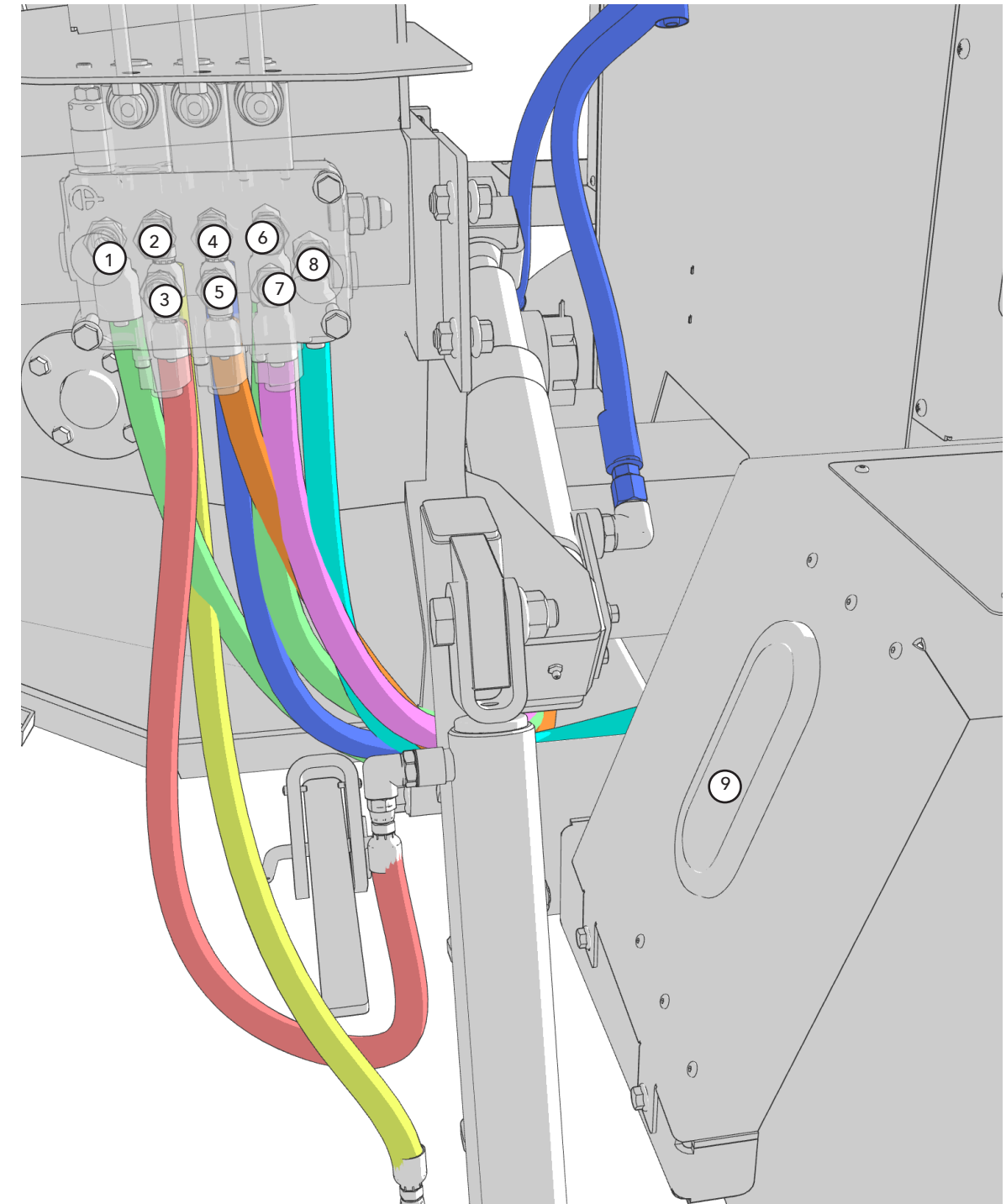
TUBES AND LINES

Tubes and Lines			
LINE	PART NUMBER	COLOR	DESCRIPTION
1	-	RED	SCR CANNISTER HOSE 01
2	-	BLUE	SCR CANNISTER HOSE 02
3	51213.07	-	DEF CANNISTER STRAP
4	-	YELLOW	HOSE
5	-	BLUE	HOSE
6	-	GREEN	HOSE
7	A047U821	RED	SPLITTER
8	53803.02	PINK	UPPER INTAKE TUBE
9	53803.04	BLUE	CONNECTING HOSE, UPPER TO LOWER SUCTION TUBE
10	53803.01	PINK	LOWER INTAKE TUBE
11	53804	YELLOW	SUCTION TUBE, TANDEM PUMP
12	83114	BLUE	HOSE, INTAKE TUBE TO HYDRAULIC TANK
13	-	BLUE	HOSE, SUCTION TUBE TO HYDRAULIC TANK
14	53901	BLUE	L/R DUAL SHIFT CYLINDER HOSE ASSEMBLY
15	83808	BLUE/ORANGE	LH OUTRIGGER HOSE (TOP-ORANGE, BOTTOM-BLUE)
16	83804	PINK/GREEN	REMIXER HOSE (TOP-GREEN, BOTTOM-PINK)



TUBES AND LINES

Tubes and Lines			
LINE	PART NUMBER	COLOR	DESCRIPTION
1	83853	GREEN	HOSE, VAVOIL X P3
2	83805	YELLOW	HOSE, RIGHT SIDE OUTRIGGER BOTTOM PORT
3	83805	RED	HOSE, RIGHT SIDE OUTRIGGER TOP PORT
4	83808	BLUE	HOSE, LEFT SIDE OUTRIGGER TOP PORT
5	83808	ORANGE	HOSE, LEFT SIDE OUTRIGGER BOTTOM PORT
6	83804	GREEN	HOSE, REMIXER TOP PORT
7	83804	PINK	HOSE, REMIXER BOTTOM PORT
8	83854	CYAN	HOSE, TO HYDRAULIC TANK BOTTOM PORT
9	84271	-	RED FENDER LIGHT





3026 South Scott Lane | West Haven, UT 84401
385 389 2630 | www.wshotcrete.com